

SHEET TITLE: **AZTech 3500 RH**

SUBMITTAL NO: **RH35-3-STD-0110** DRAWN BY: **TAA**

DATE: **01/11/10** SCALE: **NTS**

**SPECIFICATIONS:**

**DIMENSIONS:** RH35-3 36.5"H X 87.5" W X 134" D

**MOTOR:** 2 HP 208-230/460/3/60 TEFC  
6.0-5.8/2.9 FLA  
(opt.) 3 HP 230/460/3/60 TEFC  
8.6/4.3 FLA

**CFM:** 2 HP - 3500 CFM @ 1.0" W.G.  
3HP - 4,500 CFM @ .85" W.G.

**CONSTRUCTION** 11,14, & 16 GA POWDER COATED ST. FRAME.  
3/16 POLYETHYLENE PANELS. FULL FULL CARBON STEEL CONSTRUCTION AVAILABLE  
4-WAY ALUMINUM EXHAUST GRILLE

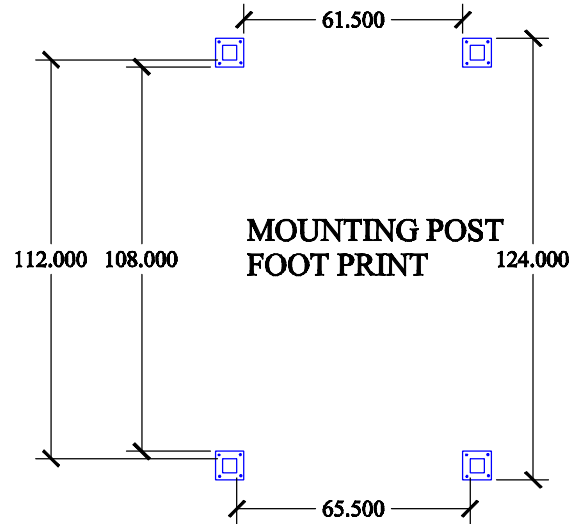
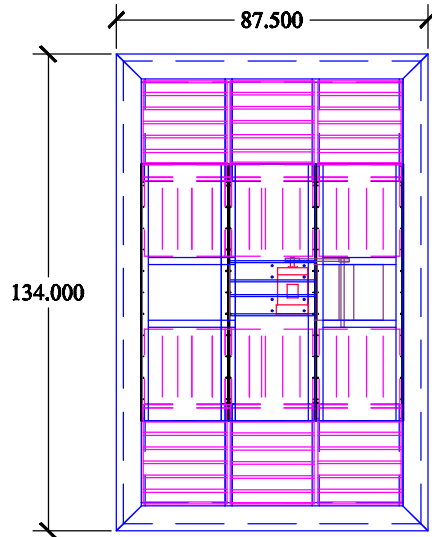
**ELECTRICAL** WIRED TO JCT. BOX  
OPT. MOTOR STARTER AVAILABLE

**BLOWER:** 10 X 10 FORWARD CURVED BLOWER BELT DRIVE

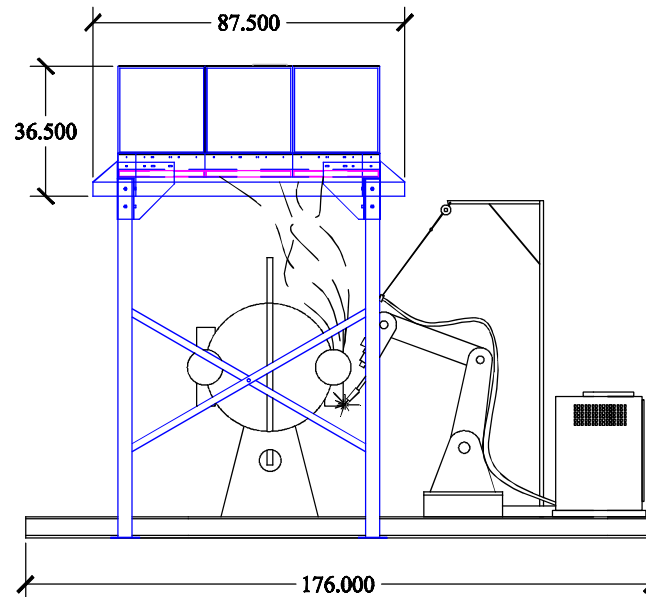
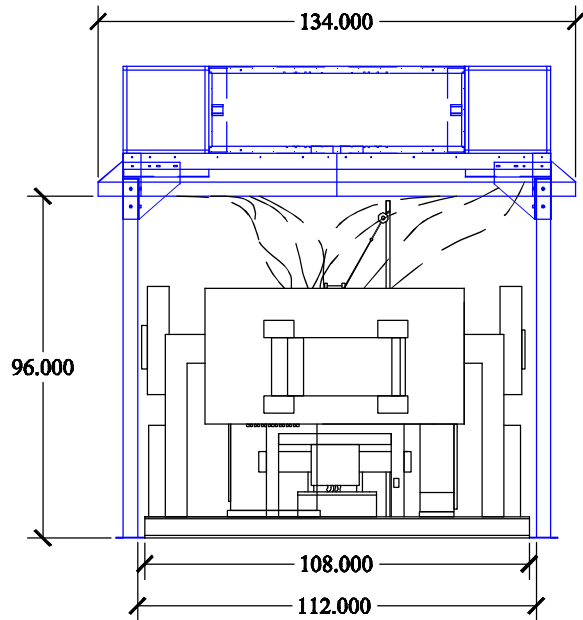
**FILTERS:** 2" ALUMINUM BAFFLE PREFILTER  
OPT. 2" ALUMINUM MESH  
4" PLEATED PREFILTER  
95% FIBERGLASS BAG FILTER

**OPTIONS:** HEPA AFTER FILTER  
SILENCER  
MAGNAHELIC PRESSURE GAUGE

**WEIGHT:** RH35-3 1496 lbs. (less stand)



**MOUNTING POST FOOT PRINT**



**SUBMITTAL APPROVAL**

APPROVED AS IS:

APPROVED WITH CHANGES:

SIGNED: \_\_\_\_\_

DATE: \_\_\_\_\_

**COPYRIGHT:** This document and the information contained may not be reproduced or distributed without express written consent of INDUSTRIAL MAID. Unauthorized reproduction, disclosure, or manufacturing use are prohibited by copyright law.



**INDUSTRIAL MAID**

MFG. BY:

**INDUSTRIAL MAID LLC**

**351 S. 12TH RD.**

**CORTLAND, NE 68331**

**Ph. (402) 798-7116**

**Fax (402) 798-7117**

**www.industrial-maid.com**