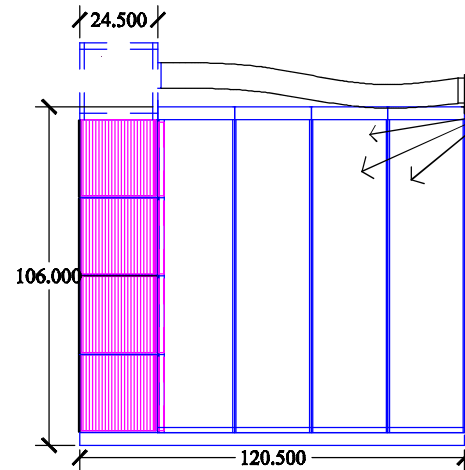
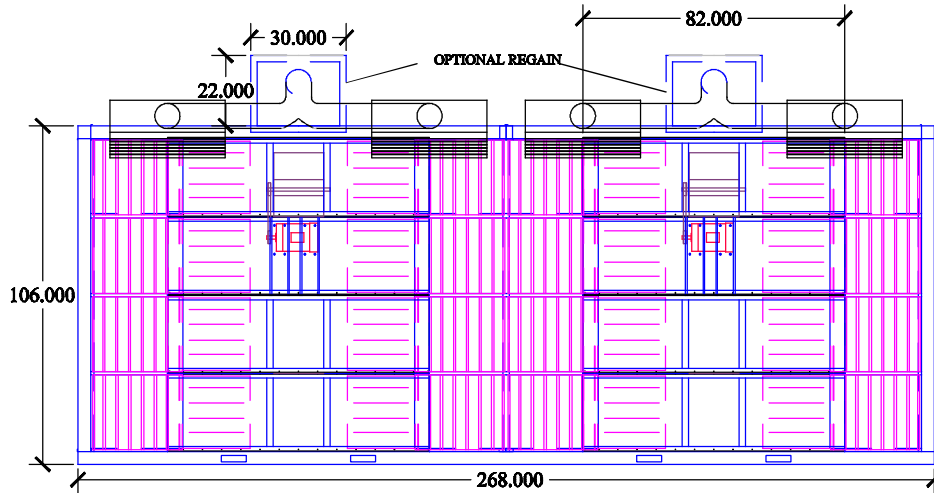
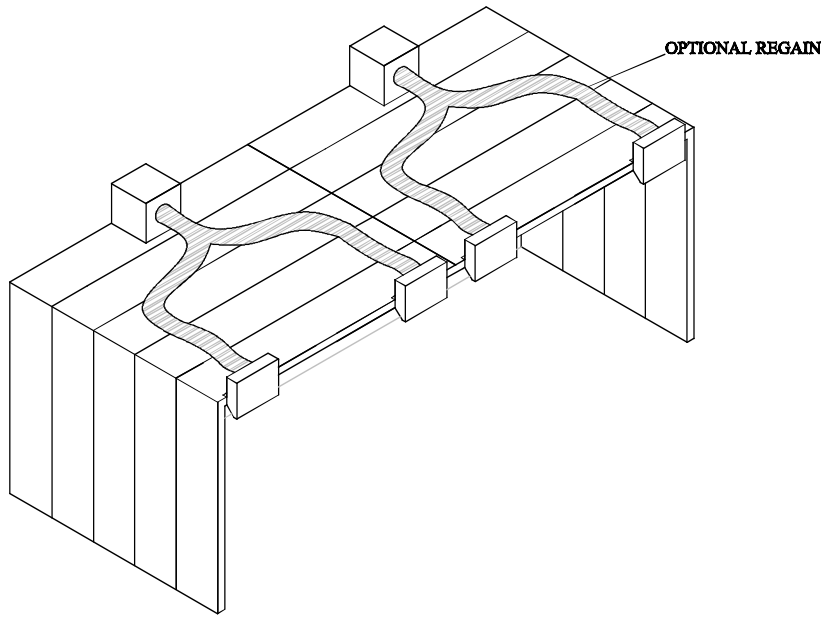
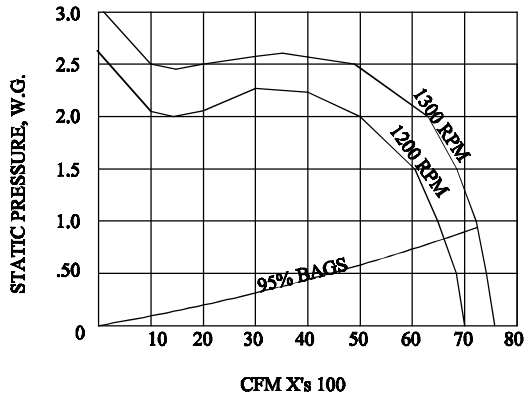


5 HP



SHEET TITLE : AZTech EB80-2 BOOTH

DRWG. NO: EB80-2-101804 DRAWN BY: TAA

DATE: 12/03/04 SCALE: NTS

SPECIFICATIONS:

DIMENSIONS: 106"H X 268" W X 120.5" D

MOTOR: (2) 5 HP 208-230/460/3/60
TEFC MOTORS, 14.0-12.6/6.3 FLA

CFM: 15000 CFM TOTAL

CONSTRUCTION 14 & 16 GA POWDER COATED STEEL FRAME.
3/16 POLYETHYLENE PANELS. FULL CARBON STEEL CONSTRUCTION AVAILABLE.
4-WAY ALUMINUM EXHAUST GRILLE

ELECTRICAL WIRED TO JCT. BOX
OPT. MOTOR STARTER

BLOWER: (2) 12X12 FORWARD CURVED BLOWER
OPTIONAL BI TOP MOUNTED FAN

FILTERS: 2" POLY PAD AND FRAME
4" PLEATED PREFILTER
95% FIBERGLASS BAG FILTER

OPTIONS: HEPA AFTER FILTER
SILENCER
MAGNETIC PRESSURE GAUGE
REGAIN
2" ALUMINUM MESH
2" ALUMINUM BAFFLE PREFILTER

WEIGHT: 4300 LBS.

NOISE: 78.5 dBA

COPYRIGHT: This document and the information contained may not be reproduced or distributed without express written consent of INDUSTRIAL MAID. Unauthorized reproduction, disclosure, or manufacturing use are prohibited by copyright law.



INDUSTRIAL MAID
INDUSTRIAL MAID LLC
351 S. 12TH RD.
CORTLAND, NE 68331
Ph. (402) 798-7116
Fax (402) 798-7117
www.industrial-maid.com