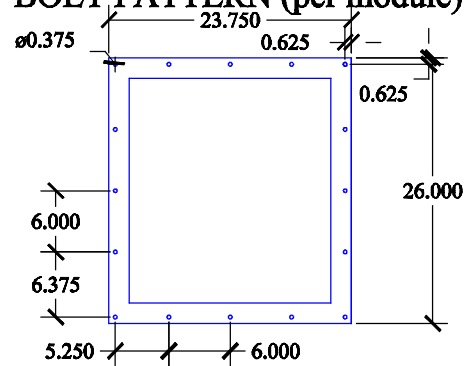
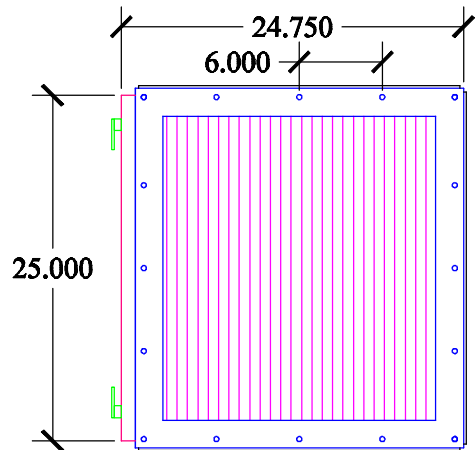
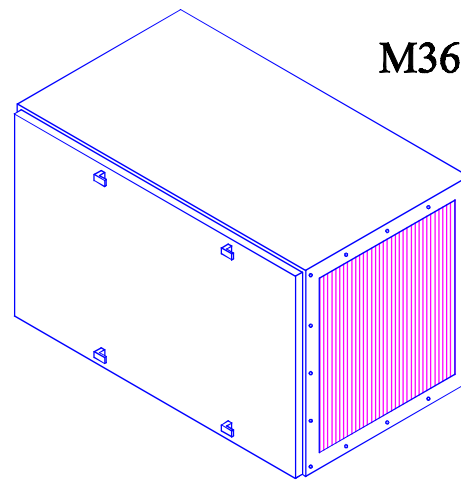


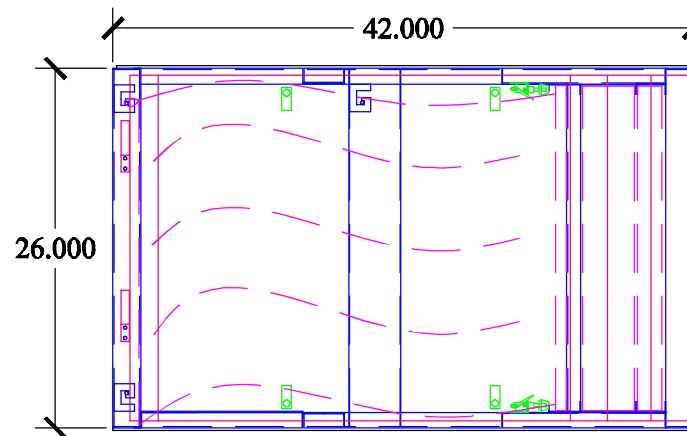
**TYPICAL INLET
BOLT PATTERN (per module)**



M36



INLET VIEW



SIDE VIEW

SHEET TITLE : AZTech M36

DRWG. NO.: 36-042705 **DRAWN BY: TAA**

DATE: 04/27/05 **SCALE: NTS**

SPECIFICATIONS:

DIMENSIONS: 26"H X 42" W X 25" D

CONSTRUCTION 12 & 14 GA POWDER COATED STEEL FRAME. 16 GA STEEL DOOR. 3/16 POLYETHYLENE PANELS. CAM LOCK DOOR LATCHES ADJUSTABLE COMPRESSION HINGE 4-WAY ALUMINUM EXHAUST GRILLE QUICK RELEASE FILTER CLAMPS

STD. FILTERS: 4" PLEATED PREFILTER 95% BAG FILTER

OPTIONAL FILTERS: 65% BAG FILTER. 26 LB CARBON MODULE 2" AL. MESH PREFILTER 2" BAFFLED PREFILTER 4" MIST ELIMINATOR 2" POLY PAD 99.97% HEPA AFTERFILTERS

OPTIONS: EYEBOLTS (INSTALLED) SILENCER MAGNETIC PRESSURE GAUGE MANOMETER SOURCE CAPTURE PLENUM DUAL DOORS FULL CARBON STEEL CONST.

WEIGHT: 175 LBS. (STD)



INDUSTRIAL MAID
INDUSTRIAL MAID LLC
351 S. 12TH RD.
CORTLAND, NE 68331
Ph. (402) 798-7116
Fax (402) 798-7117
www.industrial-maid.com

COPYRIGHT: This document and the information contained may not be reproduced or distributed without express written consent of INDUSTRIAL MAID. Unauthorized reproduction, disclosure, or manufacturing use are prohibited by copyright law.