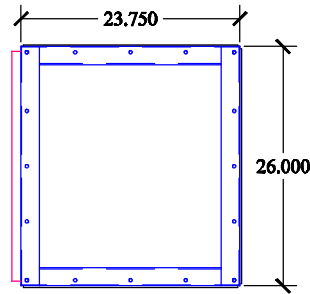
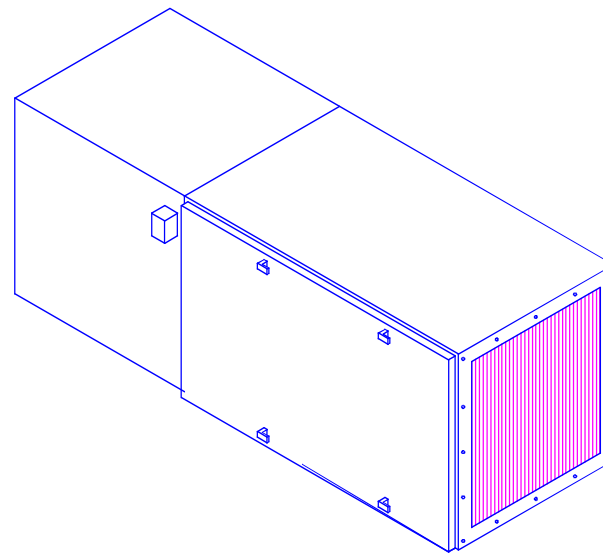
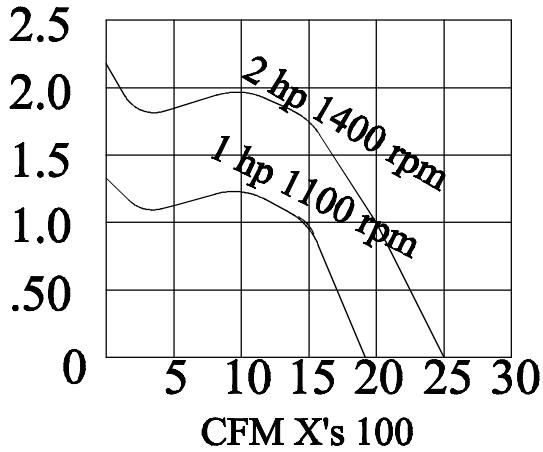
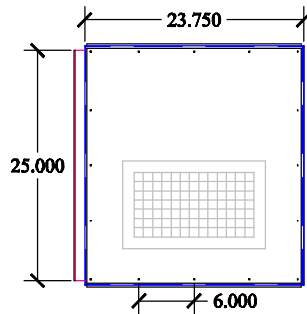


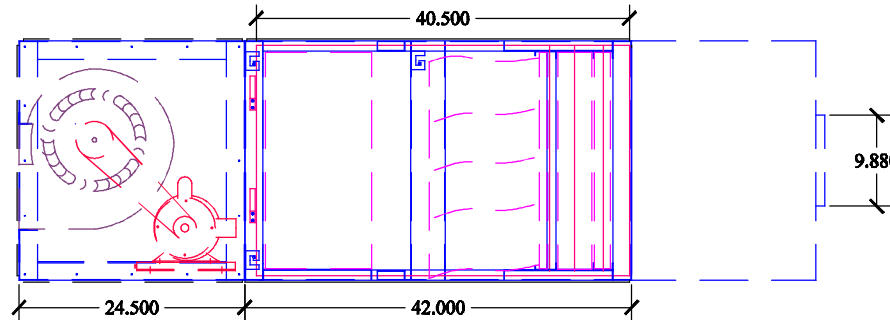
STATIC PRESSURE, W.G.



INLET VIEW



EXHAUST VIEW



SIDE VIEW

SHEET TITLE: **AZTech M36 IAC**
 DRWG. NO. **36I-081307** DRAWN BY: **TAA**
 DATE: **08/13/07** SCALE: **NTS**

SPECIFICATIONS:

- DIMENSIONS:** 26"H X 66" W X 24" D
- MOTOR:** 1HP, 115/208-230/1/60, 13.4-6.8-6.7 FLA
1HP, 208-230/460/3/60, 3.5-3.6/1.8 FLA
2HP, 208-230/460/3/60, 6.0-5.9/2.9 FLA
- CFM:** 1 HP - 1500 CFM @ 1.0" W.G.
2 HP - 2,000 CFM @ 1.0" W.G.
- ELECTRICAL** 1 HP, 1 PH. - SWITCH & 15' CORD
2, 3 PH. WIRED TO JCT. BOX
- BLOWER:** 10 X 8 FORWARD CURVED BLOWER
BELT DRIVE
- CONSTRUCTION** 12 & 14 GA POWDER COATED STEEL
FRAME. 16 GA STEEL DOORS.
3/16 POLYETHYLENE PANELS.
ADJ. COMPRESSION HINGES
CAM DOOR AND FILTER LATCHES
4-WAY ALUMINUM EXHAUST GRILLE
- STD. FILTERS:** (1) 4" PLEATED PREFILTER
(1) 95% BAG FILTER
- OPTIONAL FILTERS:** 65% BAG FILTER.
26 LB CARBON MODULES
2" MESH PREFILTERS
2" BAFFLED PREFILTERS
4" MIST ELIMINATORS
99.97% HEPA AFTERFILTERS
- OPTIONS:** EYEBOLTS (INSTALLED)
SILENCER
MAGNAHELIC PRESSURE GAUGE
MANOMETER
SOURCE CAPTURE PLENUM
DUAL DOORS
ALL STEEL CONSTRUCTION
- WEIGHT:** 285 LBS.
- NOISE:** 1 HP - 67 dBA
2 HP - 67.5 dBA

COPYRIGHT: This document and the information contained may not be reproduced or distributed without express written consent of INDUSTRIAL MAID. Unauthorized reproduction, disclosure, or manufacturing use are prohibited by copyright law.



INDUSTRIAL MAID
INDUSTRIAL MAID LLC
 351 S. 12TH RD.
 CORTLAND, NE 68331
 Ph. (402) 798-7116
 Fax (402) 798-7117
 www.industrial-maid.com