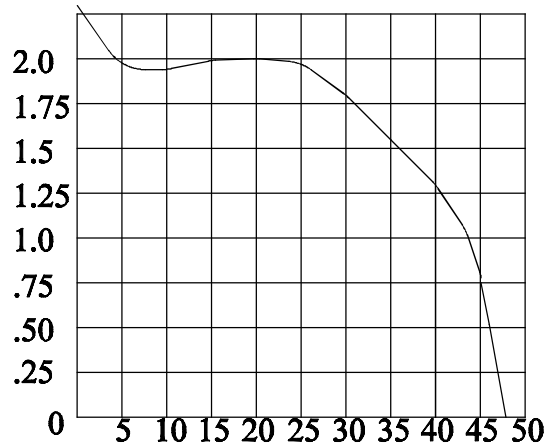
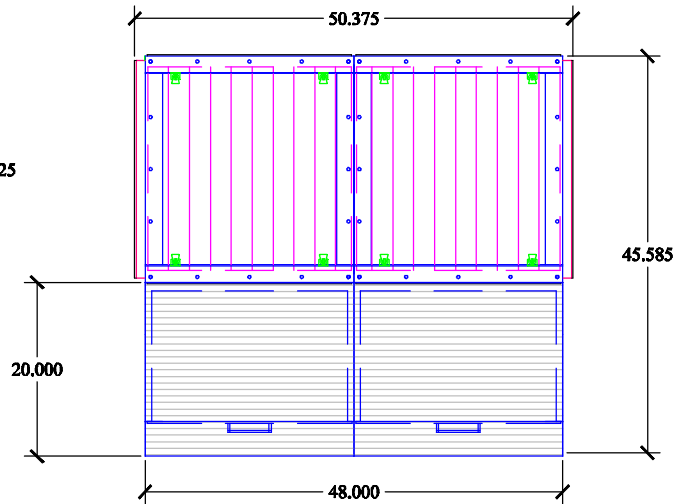
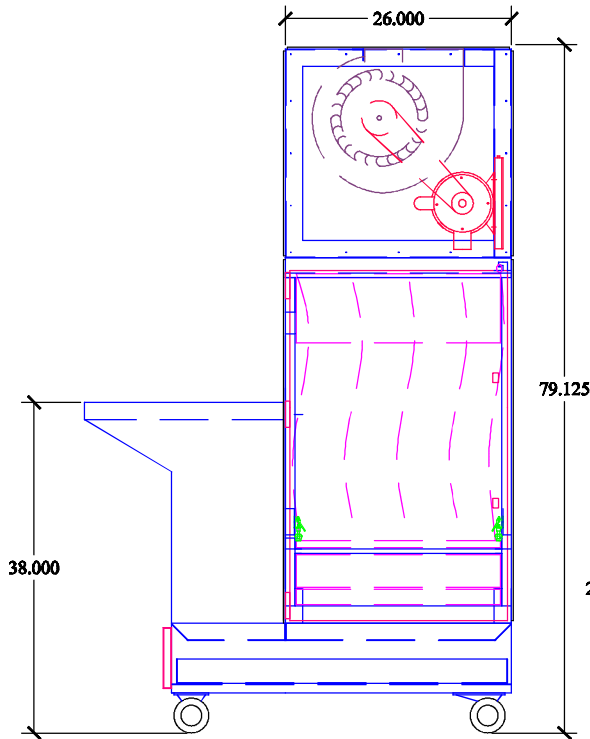
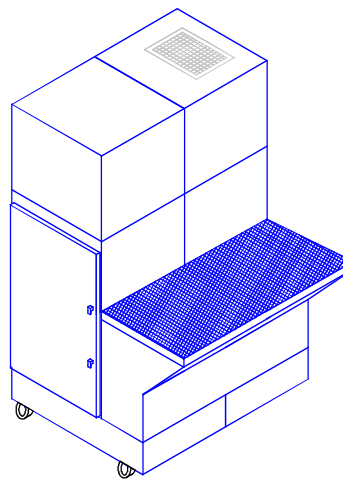


STATIC PRESSURE, W.G.



CFM X's 100



SHEET TITLE: AZTech M36 PAC DUAL DT-48

DRWG. NO. M36PX248DT-081317 DRAWN BY: TAA

DATE: 08/13/07

SCALE: NTS

SPECIFICATIONS:

DIMENSIONS: 79"H X 60"W X 46"D

MOTOR: 3 HP 230/460 3 PHASE, 8.6/4.3 FLA

CFM: 4000 CFM @ 1.25" W.G.

CONSTRUCTION 12 & 14 GA POWDER COATED STEEL FRAME.
3/16 POLYETHYLENE PANELS. FULL CARBON STEEL CONSTRUCTION AVAILABLE.
4-WAY ALUMINUM EXHAUST GRILLE
2" FIBERGLASS GRATE

ELECTRICAL 3 PHASE - WIRED TO JUNCTION BOX

BLOWER: 10 x 10 BELT DRIVE

FILTERS: 2" BAFFLE FILTER
4" PLEATED PREFILTER
95% BAG FILTER

OPTIONS: STEEL GRATE
SILENCER
MAGNETIC PRESSURE GAUGE
MOTOR STARTER
30" TABLE

WEIGHT: 615 LBS.

NOISE: 69.5 dBA



INDUSTRIAL MAID

MFG. BY:

INDUSTRIAL MAID LLC

351 S. 12TH RD.

CORTLAND, NE 68331

Ph. (402) 798-7116

Fax (402) 798-7117

www.industrial-maid.com

COPYRIGHT: This document and the information contained may not be reproduced or distributed without express written consent of INDUSTRIAL MAID. Unauthorized reproduction, disclosure, or manufacturing use are prohibited by copyright law.