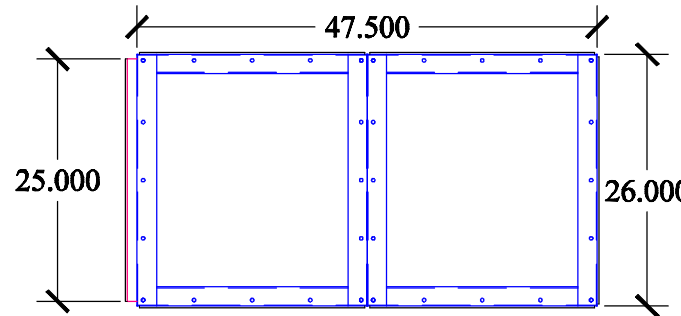
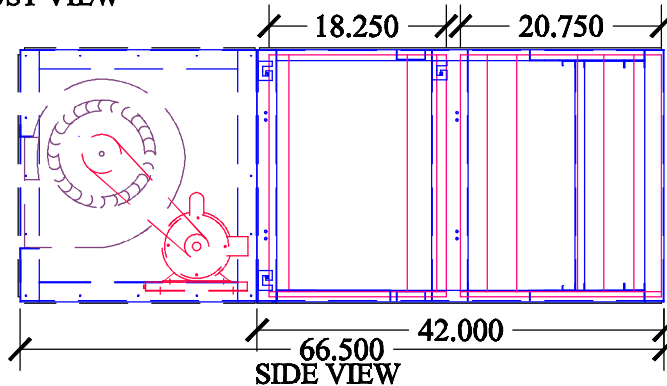


EXHAUST VIEW



INLET VIEW



SIDE VIEW

SHEET TITLE : AZTech M36X2 IAC

DRWG. NO.: 362I-081311S DRAWN BY:TAA

DATE: 08/13/11 SCALE: NTS

**SPECIFICATIONS:**

- DIMENSIONS:** 25"H X 66" W X 48" D
- MOTOR:** 2HP, 208-230/460/3/60, 6.0-5.8/2.9 FLA  
3HP, 230/460/3/60, 8.6/4.3 FLA
- CFM:** 2 HP - 3,500 CFM @ 1.0" W.G.  
3HP - 4,500 CFM @ .85" W.G.
- ELECTRICAL** 2 HP, 1 PH. - WIRED TO JCT. BOX  
2 & 3 HP, 3 PH. WIRED TO JCT. BOX
- BLOWER:** 10 X 10 FORWARD CURVED BLOWER  
BELT DRIVE
- CONSTRUCTION** 12 & 14 GA POWDER COATED STEEL  
FRAME. 16 GA STEEL DOORS.  
3/16 POLYETHYLENE PANELS.  
ADJ. COMPRESSION HINGES  
CAM FILTER AND DOOR LATCHES  
4-WAY ALUMINUM EXHAUST GRILLE
- STD. FILTERS:** (2) 4" PLEATED PREFILTER  
(2) 95% BAG FILTER
- OPTIONAL FILTERS:** (2) 65% BAG FILTER.  
(2) 26 LB CARBON MODULES  
(2) 2" MESH PREFILTERS  
(2) 2" BAFFLED PREFILTERS  
(2) 4" MIST ELIMINATORS  
(2) 99.97% HEPA AFTERFILTERS
- OPTIONS:** EYEBOLTS (INSTALLED)  
SILENCER  
MAGNETIC PRESSURE GAUGE  
MANOMETER  
SOURCE CAPTURE PLENUM  
DUAL DOORS  
ALL STEEL CONSTRUCTION
- WEIGHT:** 443 LBS. (STD.)
- NOISE:** 2 HP - 67.5 dBA  
3 HP - 69.5 dBA



**INDUSTRIAL MAID**  
INDUSTRIAL MAID LLC  
351 S. 12TH RD.  
CORTLAND, NE 68331  
Ph. (402) 798-7116  
Fax (402) 798-7117  
www.industrial-maid.com

DISTRIBUTED BY:

**SUBMITTAL APPROVAL**

APPROVED AS IS:

APPROVED WITH CHANGES:

SIGNED: \_\_\_\_\_

DATE: \_\_\_\_\_

**COPYRIGHT:** This document and the information contained may not be reproduced or distributed without express written consent of INDUSTRIAL MAID. Unauthorized reproduction, disclosure, or manufacturing use are prohibited by copyright law.