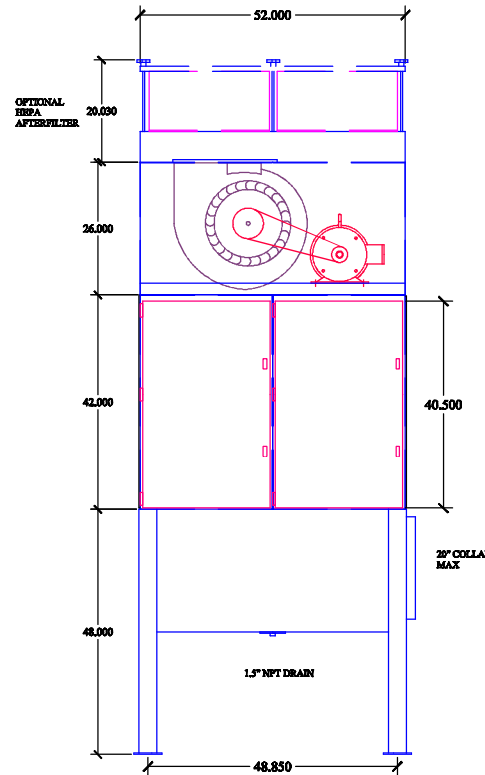
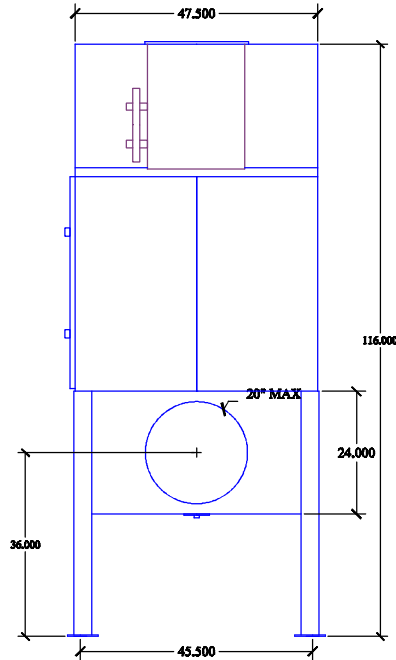
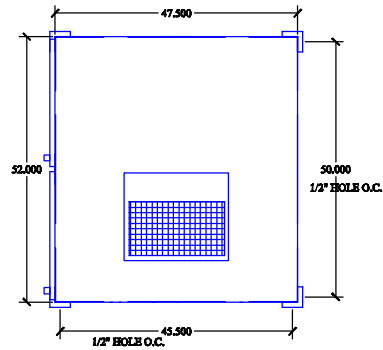
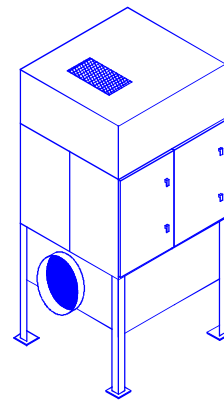
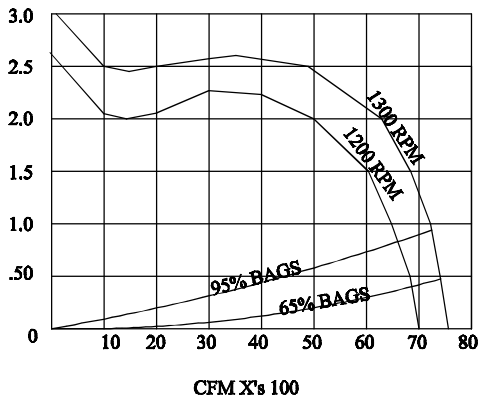


STATIC PRESSURE, W.G.



SHEET TITLE : AZTech OM36X4V IAC

DRWG. NO.: OM364-060208 DRAWN BY:TAA

DATE: 06/02/08 SCALE: NTS

SPECIFICATIONS:

- DIMENSIONS:** 116"H X 52" W X 47.5" D
- MOTOR:** 7.5 HP 208-230/460/3/60
- CFM:** 7000 CFM @ 1.25" W.G.
- ELECTRICAL:** WIRED TO JCT. BOX
- BLOWER:** 12 X 12 FORWARD CURVE BLOWER
- CONSTRUCTION:** 12 & 14 GA POWDER COATED STEEL FRAME. (20 16 GA STEEL DOORS. 3/16 POLYETHYLENE PANELS. ADJ. COMPRESSION HINGES AVAILABLE. 1-1/2 NPT DRAIN 4-WAY ALUMINUM EXHAUST GRILLE CAM DOOR AND FILTER LATCHES SOURCE CAPTURE PLENUM 24" FLOOR STAND
- STD. FILTERS:** (4) 2" BAFFLE (4) 95% BAG FILTER
- OPTIONAL FILTERS:** (4) 2" MIST ELIMINATORS (4) 26 LB CARBON MODULES (4) 4" PLEATED FILTERS (4) 2" POLY PADS (4) 4" MIST ELIMINATORS (4) 99.97% HEPA AFTERFILTERS (4) ALUMINUM MESH FILTER
- OPTIONS:** SILENCER MAGNAHELIC PRESSURE GAUGE MANOMETER DUAL DOOR 20" COLLAR MAX
- WEIGHT:** 1150 LBS.



INDUSTRIAL MAID

MFG. BY:

INDUSTRIAL MAID LLC
 351 S. 12TH RD.
 CORTLAND, NE 68331
 Ph. (402) 798-7116
 Fax (402) 798-7117
 www.industrial-maid.com

COPYRIGHT: This document and the information contained may not be reproduced or distributed without express written consent of INDUSTRIAL MAID. Unauthorized reproduction, disclosure, or manufacturing use are prohibited by copyright law.