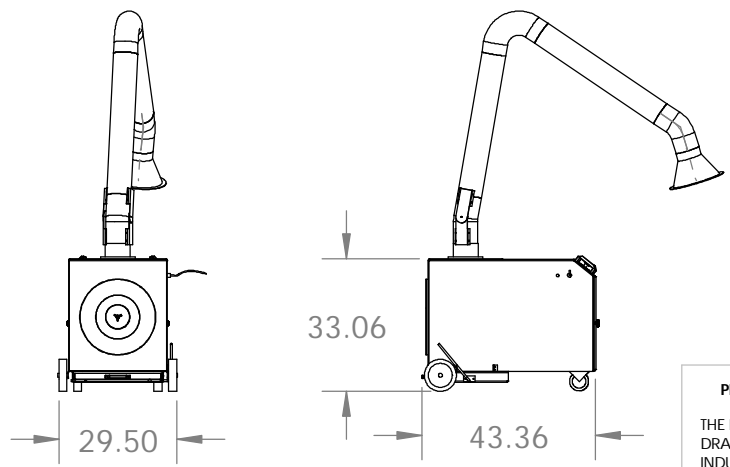
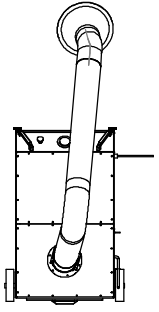
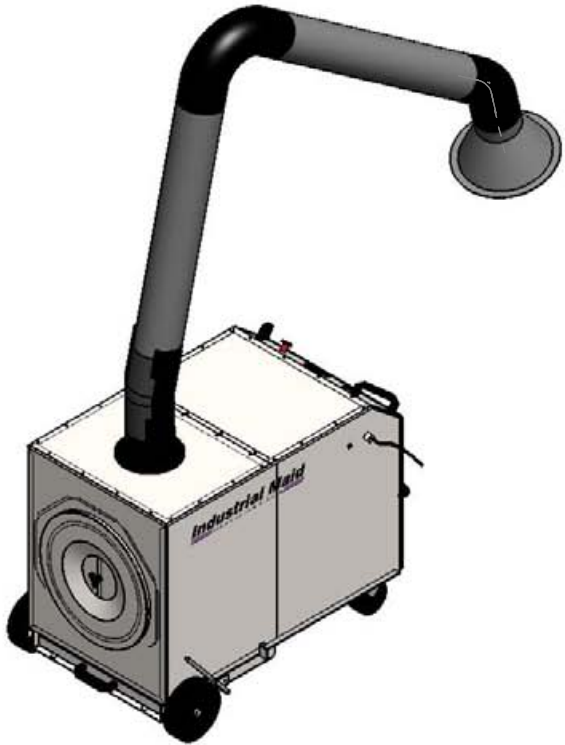
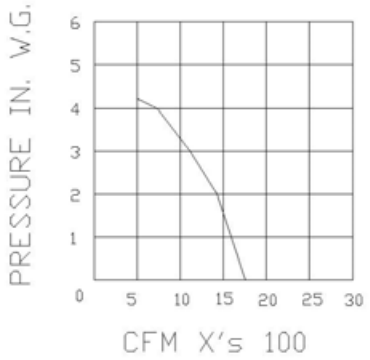


SPECIFICATIONS:

- DIMENSIONS:** 43.5" W X 30"D X 33" H
- MOTOR:** 1.0 HP TEFC
115/208-230/1/60
11.-/5.7-5.6 FLA
- ELECTRICAL:** ON/OFF SWITCH &
25 FT CORD
- CFM:** 800 CFM @ 3.5" W.G
- BLOWER:** DIRECT DRIVE BI
- CONSTRUCTION:** 12 & 14 GA STEEL
GREY POWDERCOAT
5" SWIVEL/LOCK CASTERS
8" EASY ROLL REAR WHEELS
DUST DRAWER W/ CAM
RELEASE LEVER
TOOL-LESS FILTER SERVICE
EXTERNALLY SUPPORTED
SOURCE CAPTURE ARM
6" X 10 FT STD.
- FILTER:** 200 SF FR NANO-FIBER
- WEIGHT:** 259 LBS. STD
- NOISE:** 72 DBA
- OPTIONS:** CARBON AFTER FILTER
HEPA AFTERFILTER
7, 10 & 14 FT ARMS
INTERNAL/PUSH BUTTON
CLEANING
FILTER SERVICE GAUGE
DUAL EXTRACTION ARMS
LIGHT KITS



PROPRIETARY AND CONFIDENTIAL

THE INFORMATION CONTAINED IN THIS DRAWING IS THE SOLE PROPERTY OF INDUSTRIAL MAID LLC. ANY REPRODUCTION IN PART OR AS A WHOLE WITHOUT THE WRITTEN PERMISSION OF INDUSTRIAL MAID LLC IS PROHIBITED.

	NAME	DATE
DRAWN	TAA	8/11/11
CHECKED	JZ	8/15/11

INDUSTRIAL MAID
315 S.12 RD.
CORTLAND, NE 68331
(877) 624-3247



AZTech PFC8-01-EA106		
TITLE: PORTABLE FUME COLLECTOR		
SIZE A	DWG. NO. PFC8-1HP SPEC	REV
SCALE: 1:48	WEIGHT: 317.54	SHEET 1 OF 2