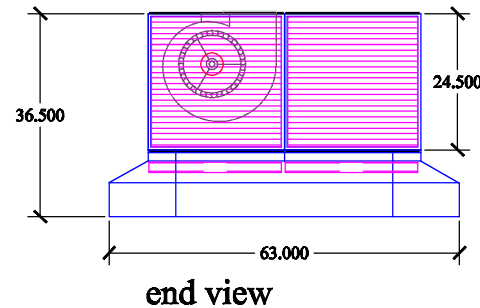
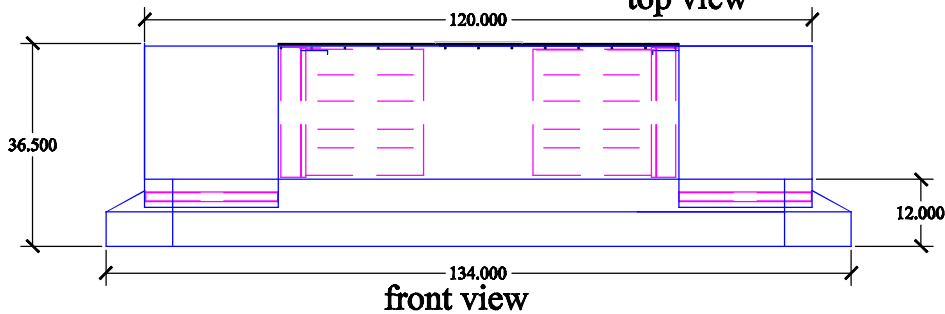


top view



SHEET TITLE : **AZTech RH35-2**
 DRWG. NO: **RH32-101608** DRAWN BY: **TAA**
 DATE: **10/16/08** SCALE: **NTS**

SPECIFICATIONS:

DIMENSIONS: RH35-2 36.5" H X 134" W X 63" D

MOTOR:
 3/4 HP 115/1/60, 10.2 FLA
 2 HP 208-230/460/3/60 TEFC
 6.0-5.8/2.9 FLA
 3 HP 230/460/3/60 TEFC
 8.6/4.3 FLA

CFM:
 3/4 HP - 3000 CFM @ .5" W.G.
 2 HP - 3500 CFM @ 1.0" W.G.
 3 HP - 4450 CFM @ 1.0" W.G.

CONSTRUCTION 11,14, & 16 GA POWDER COATED ST. FRAME.
 16 GA STEEL PANELS
 DUST PROOF LIGHT KIT
 4-WAY ALUMINUM EXHAUST GRILLE

ELECTRICAL WIRED TO JCT. BOX
 OPT. MOTOR STARTER AVAILABLE

BLOWER:
 10 X 10 FORWARD CURVED BLOWER
 3/4 HP - DIRECT DRIVE
 2 & 3 HP - BELT DRIVE

FILTERS:
 2" GALV. BAFFLE PREFILTER
 OPT. 2" ALUMINUM MESH
 4" PLEATED PREFILTER
 95% FIBERGLASS BAG FILTER

OPTIONS:
 HEPA AFTER FILTER
 SILENCER
 MAGNETIC PRESSURE GAUGE
 MACHINE LIFT EYES
 CURTAIN ENCLOSURE
 FIRE ERASER @
 FIRE SUPPRESSION SYSTEM
 THERMAL SENSOR/ POWER CUT OFF

WEIGHT:
 DIRECT DRIVE 1115 LBS.
 BELT DRIVE - 1139 LBS.

NOISE:
 3/4 HP - 63.4 dBA
 2 HP - 71.5 dBA
 3 HP - 72.0 dBA



INDUSTRIAL MAID

MFG. BY:

INDUSTRIAL MAID LLC
 351 S. 12TH RD.
 CORTLAND, NE 68331
 Ph. (402) 798-7116
 Fax (402) 798-7117
 www.industrial-maid.com

distributed by:

COPYRIGHT: This document and the information contained may not be reproduced or distributed without express written consent of INDUSTRIAL MAID. Unauthorized reproduction, disclosure, or manufacturing use are prohibited by copyright law.