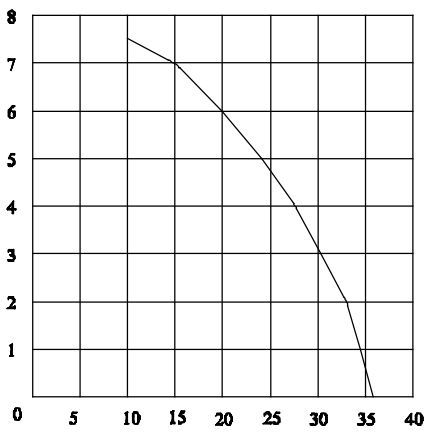
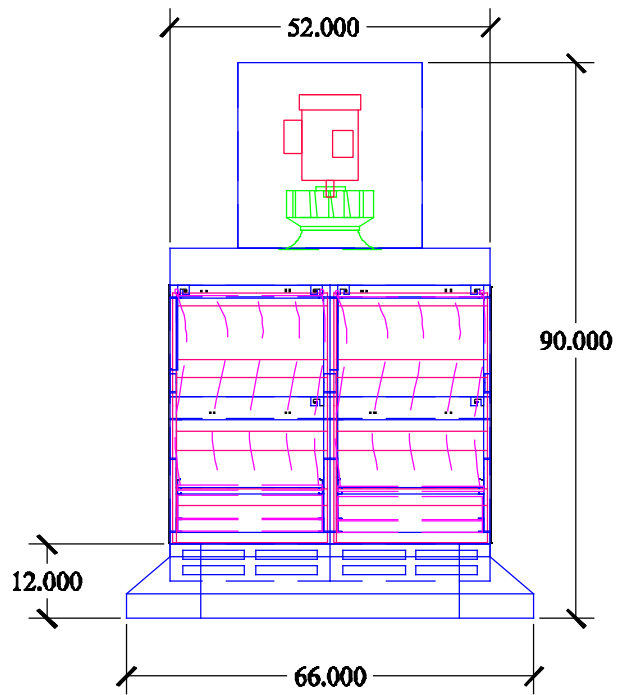
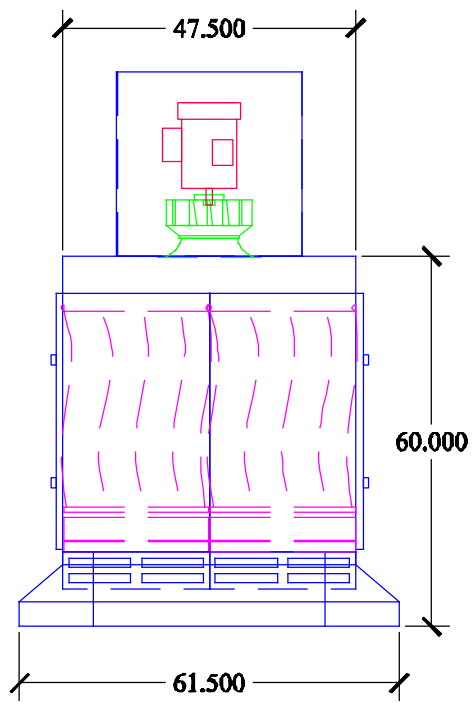
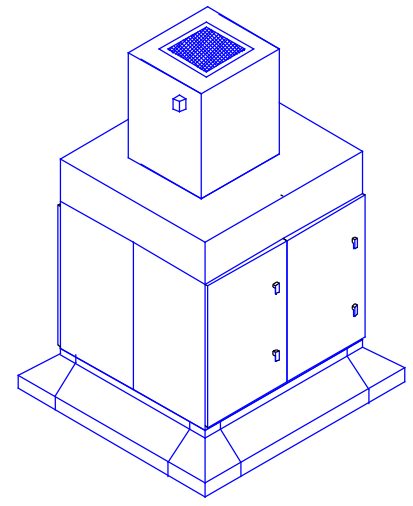


PRESSURE IN. W.G.



CFM X's 100



SHEET TITLE : **AZTech RH36V-2X2**
 DRWG. NO.: **RH36V223-012907** DRAWN BY: **TAA**
 DATE: **01/29/07** SCALE: **NTS**

SPECIFICATIONS:

- DIMENSIONS:** 76.5"H X 66" W X 61.5" D
- MOTOR:** 3 HP 230/460/3/60 TEFC, 8.6/4.2 FLA
- CFM:** 3500 @ 0.5" W.G.
- ELECTRICAL:** WIRED TO JUNCTION BOX
- BLOWER:** DIRECT DRIVE BI WHBBL
- CONSTRUCTION:** 12 & 14 GA POWDER COATED STEEL FRAME. 16 GA STEEL DOOR. 3/16 POLYETHYLENE PANELS. FULL CARBON STEEL CONSTRUCTION AVAILABLE. 18 GA. HOOD CAM LOCK FILTER & DOOR LATCHES DUST PROOF LIGHT KIT
- STD. FILTERS:** (4) 2" BAFFLES
(4) 4" FLAATED FILTERS
(4) 95% BAG FILTERS, 108 SF EA.
- OPTIONAL FILTERS:** 2" MIST ELIMINATOR
26 LB CARBON AFTERFILTER
2" POLY PREFILTER
4" MIST ELIMINATOR
2" ALUMINUM MESH PREFILTER
99.97% HEPA AFTERFILTER
- OPTIONS:** EYEBOLTS (INSTALLED)
ACOUSTIC LINING
MAGNETIC PRESSURE GAUGE
MANOMETER
FLOOR STAND
CUSTOM HOOD SIZES
FIBERASE® FIRE SUPPRESSION
THERMAL SENSOR/ POWER CUT OFF
- WEIGHT:** 1048 LBS.
- NOISE:** 80.2 dBA



INDUSTRIAL MAID

MFG. BY:
INDUSTRIAL MAID LLC
 351 S. 12TH RD.
 CORTLAND, NE 68331
 Ph. (402) 798-7116
 Fax (402) 798-7117
 www.industrial-maid.com

DISTRIBUTED BY:

COPYRIGHT: This document and the information contained may not be reproduced or distributed without express written consent of INDUSTRIAL MAID. Unauthorized reproduction, disclosure, or manufacturing use are prohibited by copyright law.