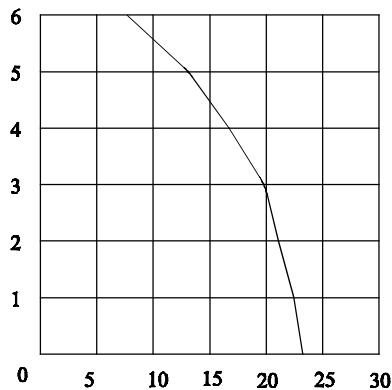
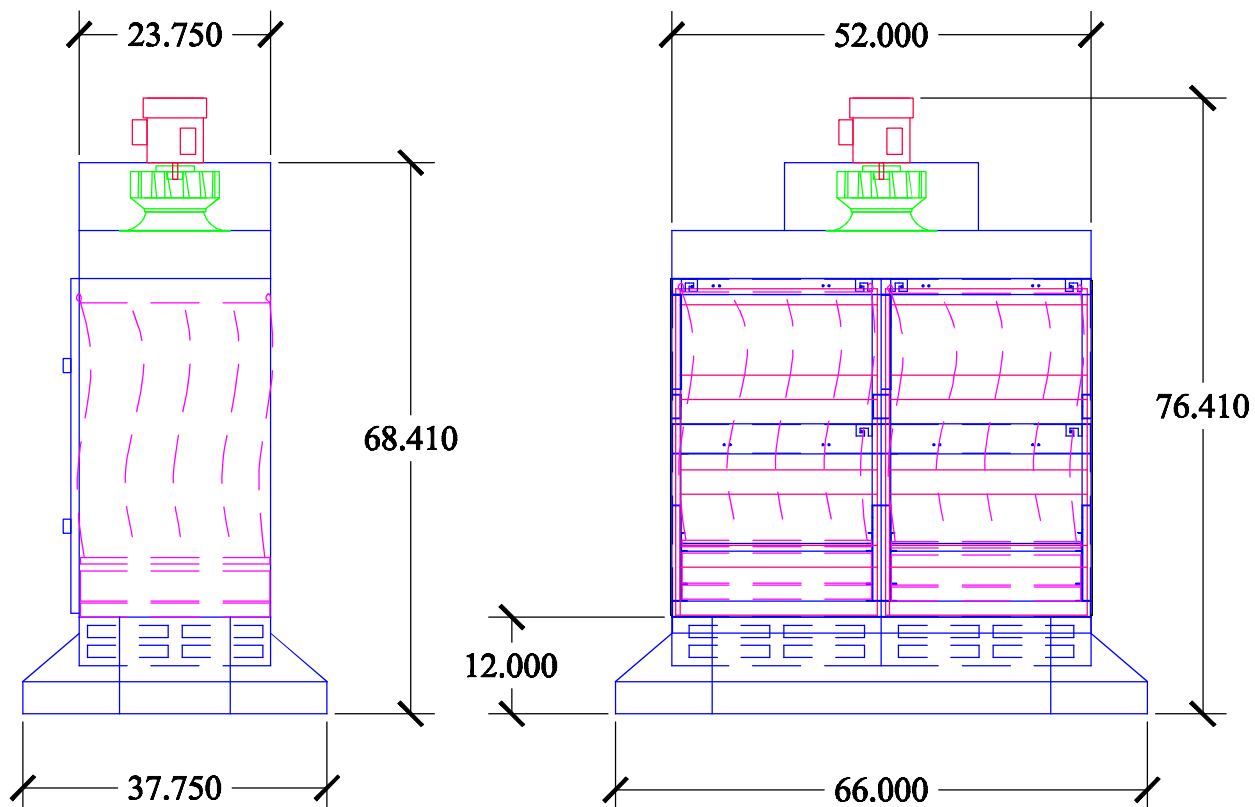
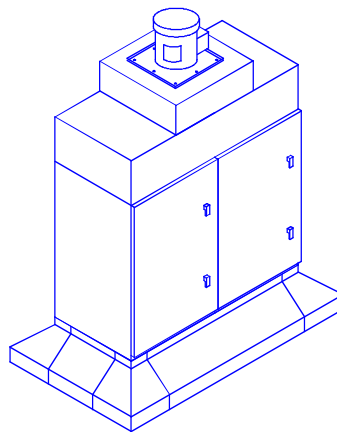


PRESSURE IN. W.G.



CFM X's 100



SHEET TITLE : **AZTech RH36V-1X2**

DRWG. NO.: **RH36V1215-012907** DRAWN BY: **TAA**

DATE: **01/29/07** SCALE: **NTS**

SPECIFICATIONS:

- DIMENSIONS:** 76.5" H X 66" W X 38" D
- MOTOR:** 1.5 HP 230/460/3/60, 4.6/2.3 AMPS
- CFM:** 2,000 CFM @ 3" W.G.
- ELECTRICAL:** WIRED TO JUNCTION BOX
- BLOWER:** DIRECT DRIVE BI WHEEL
- CONSTRUCTION:** 12 & 14 GA POWDER COATED STEEL FRAME. 16 GA STEEL DOOR. 3/16 POLYETHYLENE PANELS. FULL CARBON STEEL CONSTRUCTION AVAILABLE. 11 & 18 GA HOOD CAM DOOR AND FILTER LATCHES DUST PROOF LIGHT KIT
- STD. FILTERS:** (2) 2" BAFFLES
(2) 4" PLEATS
(2) 95% MAIN BAG, 108 SF EACH
- OPTIONAL FILTERS:** 2" MIST ELIMINATOR
26 LB CARBON AFTERFILTER
2" POLY PREFILTER
4" PLEATED PREFILTER
2" ALUMINUM MESH PREFILTER
99.97% HEPA AFTERFILTER
- OPTIONS:** EYEBOLTS (INSTALLED)
ACOUSTIC LINING
MAGNAHELIC PRESSURE GAUGE
MANOMETER
FLOOR STAND
CUSTOM HOOD SIZES
FIREASER® FIRE SUPPRESSION
THERMAL SENSOR/ POWER CUT OFF
- WEIGHT:** 623 LBS.
- NOISE:** 69.5 dBA



INDUSTRIAL MAID

MFG. BY:

INDUSTRIAL MAID LLC
351 S. 12TH RD.
CORTLAND, NE 68331
Ph. (402) 798-7116
Fax (402) 798-7117
www.industrial-maid.com

DISTRIBUTED BY:

COPYRIGHT: This document and the information contained may not be reproduced or distributed without express written consent of INDUSTRIAL MAID. Unauthorized reproduction, disclosure, or manufacturing use are prohibited by copyright law.