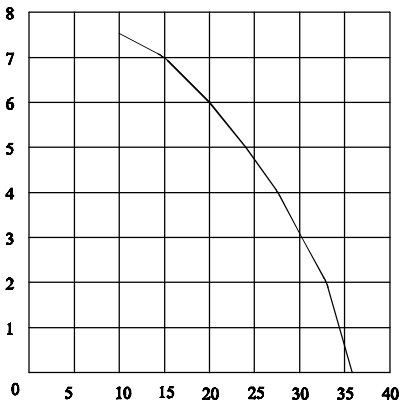
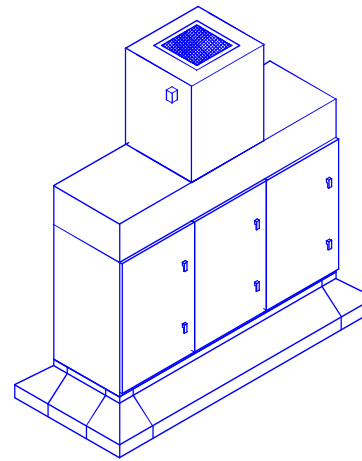


PRESSURE IN. W.G.



CFM X's 100



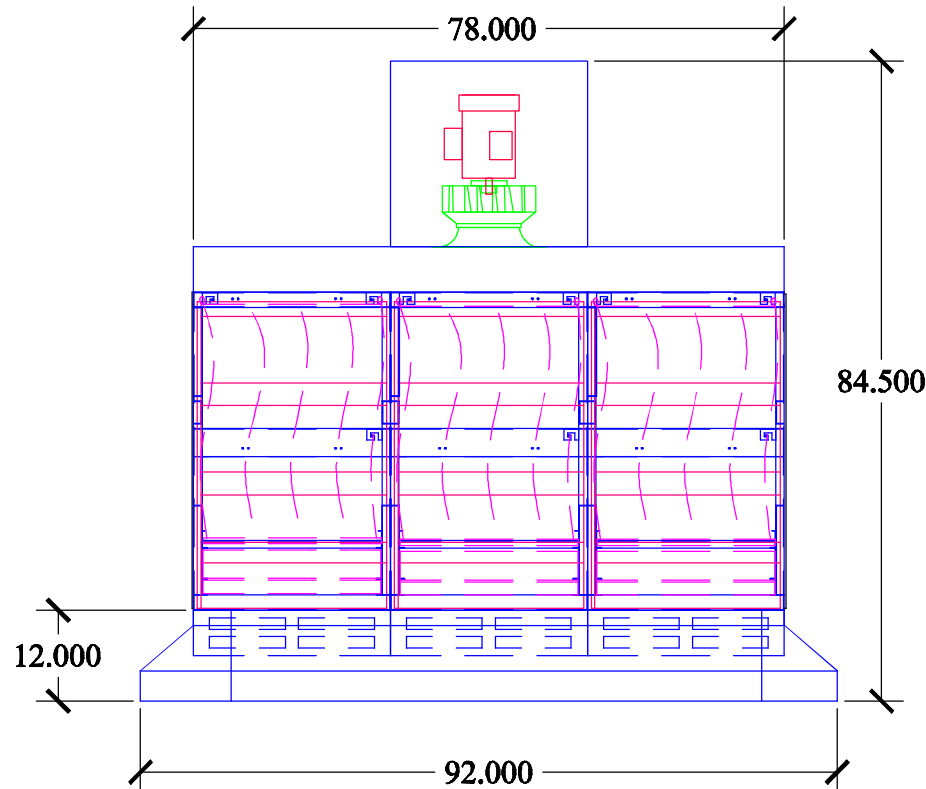
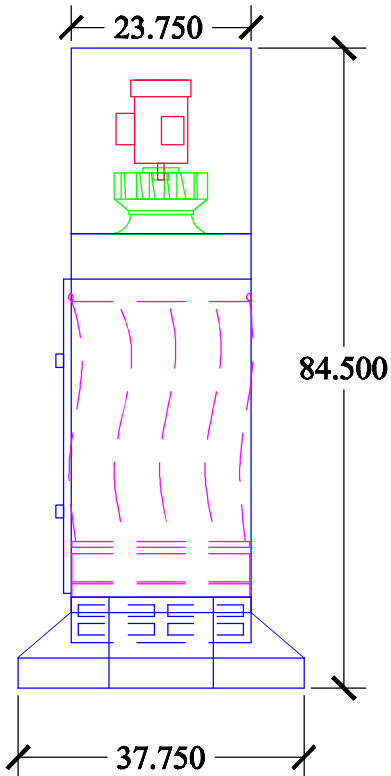
SHEET TITLE : AZTech RH36V-1X3

DRWG. NO.: RH36V133-092211 DRAWN BY: TAA

DATE: 09/22/11 SCALE: NTS

SPECIFICATIONS:

- DIMENSIONS:** 84.5"H X 92" W X 38" D
- MOTOR:** 3HP, 230/460/3/60, 8.6/4.3 FLA
- CFM:** 3300 CFM @ 2.0" W.G.
- ELECTRICAL:** WIRED TO JCT. BOX
- BLOWER:** DIRECT DRIVE BI WHEEL
- CONSTRUCTION:** 12 & 14 GA POWDER COATED STEEL FRAME. (3) 16 GA STEEL DOORS. 3/16 POLYETHYLENE PANELS. ADJ. COMPRESSION HINGES 11 & 12 GA HOOD FRAME 18 GA HOOD, GREY POWDER COAT CAM DOOR AND FILTER LATCHES DUST PROOF LIGHT KIT
- STD. FILTERS:** (3) 2" BAFFLE FILTER (3) 4" PLEATED PREFILTER (3) 95% BAG FILTER
- OPTIONAL FILTERS:** (3) 2" ALUMINUM MESH FILTERS (6) 26 LB CARBON MODULES (3) 2" POLY PADS (3) 2" OR 4" MIST ELIMINATORS (3) 99.97% HEPA AFTERFILTERS
- OPTIONS:** EYEBOLTS (INSTALLED) ACOUSTIC LINING MAGNAHELIC PRESSURE GAUGE MANOMETER FLOOR STAND CUSTOM HOOD SIZES FIREASER® FIRE SUPPRESSION THERMAL SENSOR/ POWER CUT OFF
- WEIGHT:** 875 LBS
- NOISE:** 80.2 dBA



DISTRIBUTED BY:

COPYRIGHT: This document and the information contained may not be reproduced or distributed without express written consent of INDUSTRIAL MAID. Unauthorized reproduction, disclosure, or manufacturing use are prohibited by copyright law.



INDUSTRIAL MAID

MFG. BY:

INDUSTRIAL MAID LLC
 351 S. 12TH RD.
 CORTLAND, NE 68331
 Ph. (402) 798-7116
 Fax (402) 798-7117
 www.industrial-maid.com