

SHEET TITLE : AZTech RH 60-2-EA

DRWG. NO.: 6RH2EA-0908089 DRAWN BY: TAA

DATE: 09/08/09 SCALE: NTS

**SPECIFICATIONS:**

**DIMENSIONS:** RH60-3 36.5"H X 144" W X 63" D

**MOTOR:** 5 HP 208-230/46-3/60 TEFC  
14.0-12.6/6.3 FLA

**CFM:** 6500 CFM @ .75" W.G.

**CONSTRUCTION** 11, 14 & 16 GA POWDER COATED  
STEEL FRAME  
16 GA. STEEL PANELS  
4-WAY ALUMINUM EXHAUST GRILLE  
18 GA, GALV STEEL HOOD  
DUST PROOF LIGHT KIT  
(4) 16 GA SEALED ACCESS DOORS

**ELECTRICAL** WIRED TO JCT. BOX

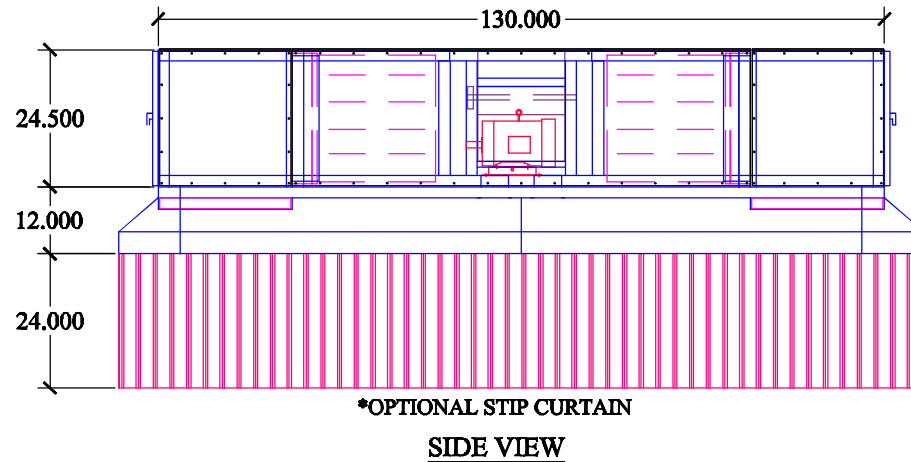
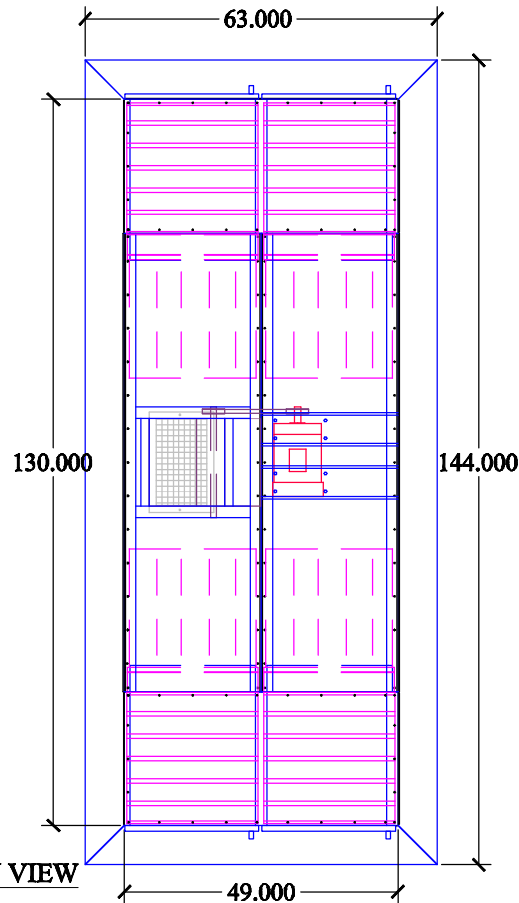
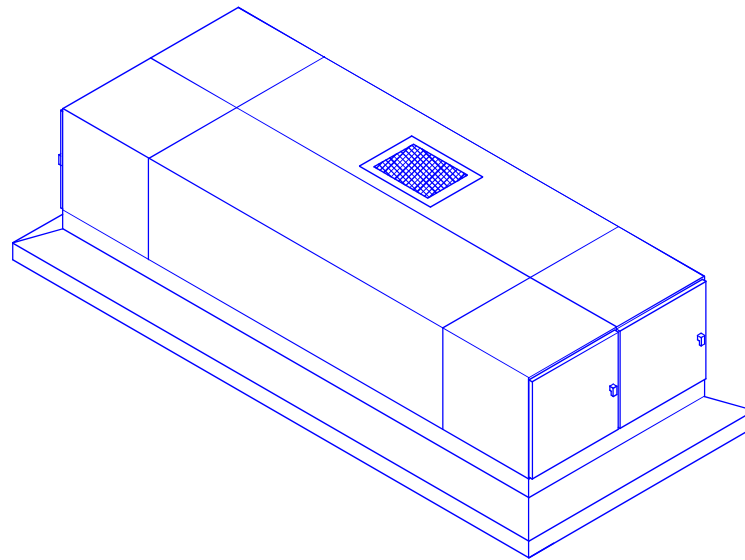
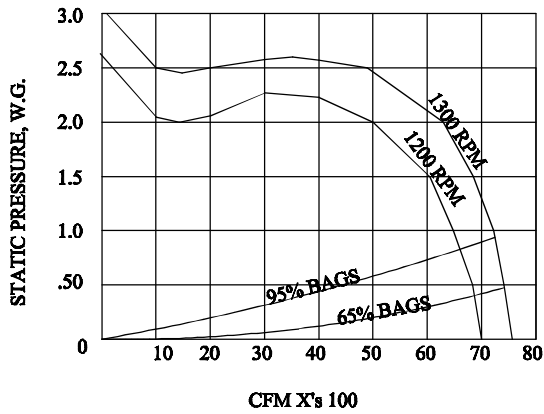
**BLOWER:** 12X12 FORWARD CURVED BLOWER  
BELT DRIVEN, ADJ. SHEAVE

**FILTERS:** 2" GALV. BAFFLE PREFILTER  
4" PLEATED PREFILTER  
95% FIBERGLASS BAG FILTER

**OPTIONS:** HEPA AFTER FILTER  
SILENCER  
MAGNETIC PRESSURE GAUGE  
CURTAIN ENCLOSURE  
DIRECT DRIVE BI BLOWER PACKAGES  
CURTAIN ENCLOSURE  
FIBER ASER® FIRE SUPPRESSION  
THERMAL SENSOR/POWER CUT OFF  
2" ALUM. MESH PREFILTER

**WEIGHT:** RH60-2 1214 LBS.

**NOISE:** 75.4 dBA



DISTRIBUTED BY:

**COPYRIGHT:** This document and the information contained may not be reproduced or distributed without express written consent of INDUSTRIAL MAID. Unauthorized reproduction, disclosure, or manufacturing use are prohibited by copyright law.



**INDUSTRIAL MAID**

MFG. BY:

**INDUSTRIAL MAID LLC**  
351 S. 12TH RD.

**CORTLAND, NE 68331**

**Ph. (402) 798-7116**

**Fax (402) 798-7117**

**www.industrial-maid.com**