

**SPECIFICATIONS:**

**DIMENSIONS:** 43.5" W X 30"D X 49" H

**MOTOR:** 1.0 HP TEFC  
115/208-230/1/60  
11.-/5.7-5.6 FLA

**ELECTRICAL:** ON/OFF SWITCH &  
25 FT CORD

**CFM:** 800 CFM @ 3.5" W.G

**BLOWER:** DIRECT DRIVE BI

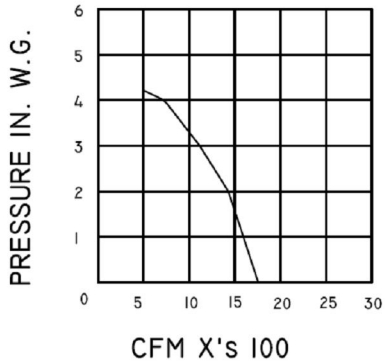
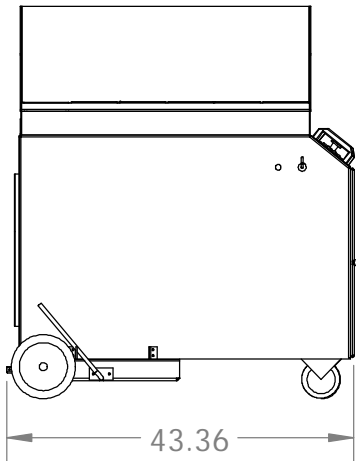
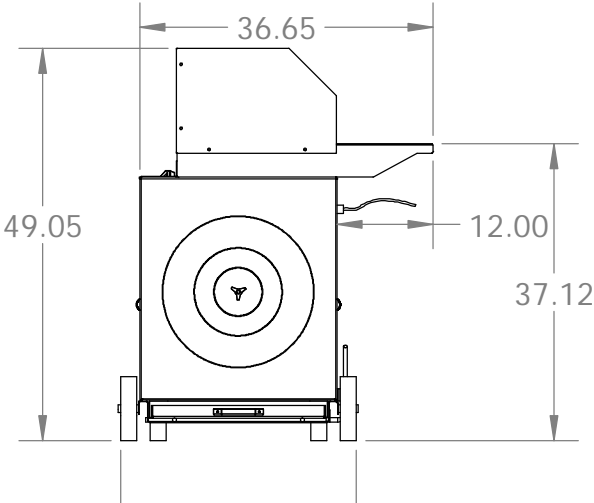
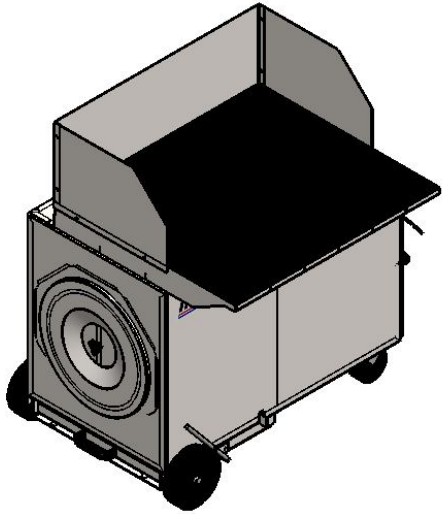
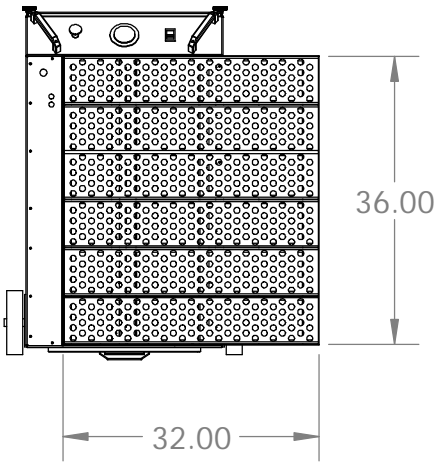
**CONSTRUCTION:** 12, 14 & 16 GA STEEL  
GREY POWDERCOAT  
5" SWIVEL/LOCK CASTERS  
8" EASY ROLL REAR WHEELS  
DUST DRAWER W/ CAM  
RELEASE LEVER  
TOOL-LESS FILTER SERVICE  
36" W X 32"D DOWNDRAFT  
TABLE, 12 GA REMOVABLE  
SLATS

**FILTER:** 200 SF FR NANO-FIBER

**WEIGHT:** 365 LBS. STD

**NOISE:** 72 DBA

**OPTIONS:** CARBON AFTER FILTER  
HEPA AFTERFILTER  
CUSTOM TABLE SIZES  
INTERNAL/PUSH BUTTON  
CLEANING  
FILTER SERVICE GAUGE  
FIBER GRATE SURFACE  
TABLE ENCLOSURE  
LIGHT KITS



**PROPRIETARY AND CONFIDENTIAL**

THE INFORMATION CONTAINED IN THIS DRAWING IS THE SOLE PROPERTY OF INDUSTRIAL MAID LLC. ANY REPRODUCTION IN PART OR AS A WHOLE WITHOUT THE WRITTEN PERMISSION OF INDUSTRIAL MAID LLC IS PROHIBITED.



	NAME	DATE	<b>AZTech PFC8-DD32</b>	
DRAWN	TAA	11/11/11		
CHECKED	JZ	11/15/11		
INDUSTRIAL MAID 315 S.12 RD. CORTLAND, NE 68331 (877) 624-3247			<b>TITLE:</b> <b>PORTABLE DOWN-DRAFT TABLE</b>	
SIZE	DWG. NO.	REV		
<b>A</b>	<b>PFC8-DD32</b>			
SCALE: 1:24		WEIGHT: 383.97	SHEET 1 OF 1	