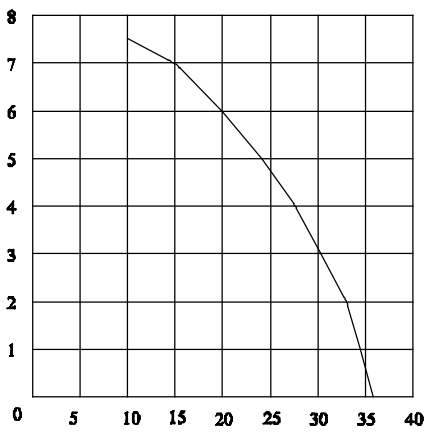
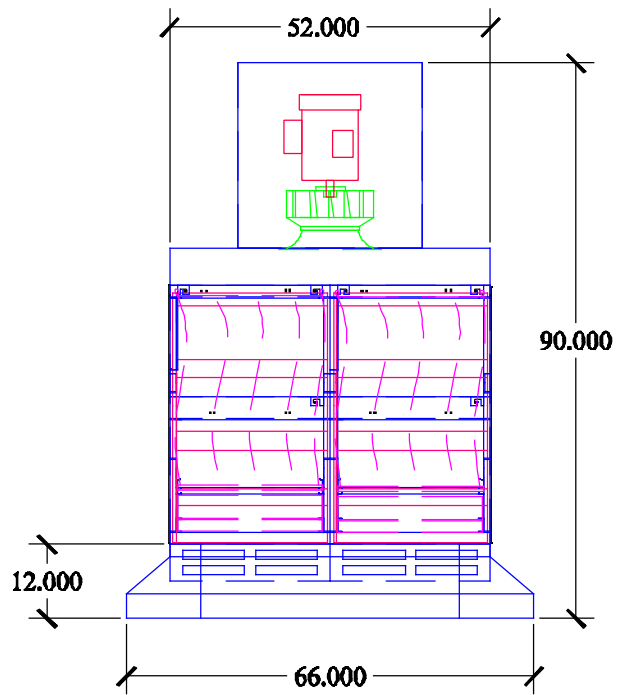
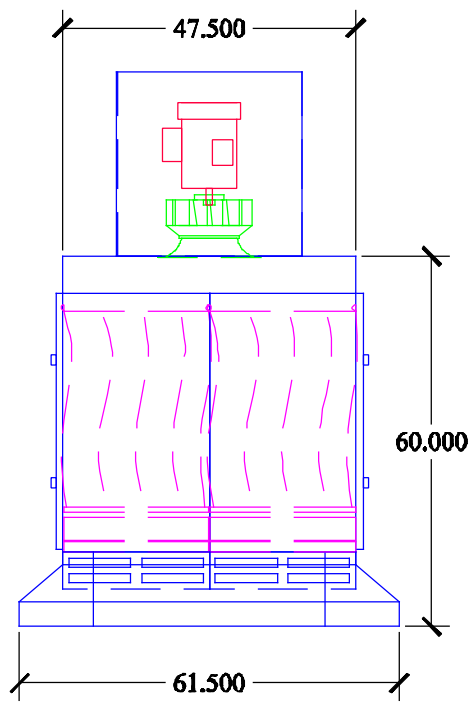
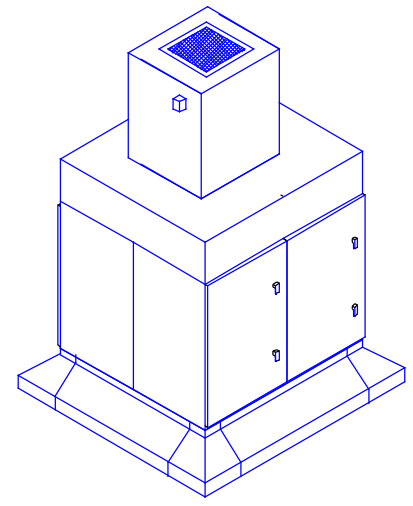


PRESSURE IN. W.G.



CFM X's 100



SHEET TITLE : **AZTech RH36V-2X2**  
 DRWG. NO.: **RH36V223-012907** DRAWN BY: **TAA**  
 DATE: **01/29/07** SCALE: **NTS**

**SPECIFICATIONS:**

- DIMENSIONS:** 76.5"H X 66" W X 61.5" D
- MOTOR:** 3 HP 230/460/3/60 TEFC, 8.6/4.2 FLA
- CFM:** 3500 @ 0.5" W.G.
- ELECTRICAL:** WIRED TO JUNCTION BOX
- BLOWER:** DIRECT DRIVE BI WHBBL
- CONSTRUCTION:** 12 & 14 GA POWDER COATED STEEL FRAME. 16 GA STEEL DOOR. 3/16 POLYETHYLENE PANELS. FULL CARBON STEEL CONSTRUCTION AVAILABLE. 18 GA. HOOD CAM LOCK FILTER & DOOR LATCHES DUST PROOF LIGHT KIT
- STD. FILTERS:** (4) 2" BAFFLES  
(4) 4" FLAATED FILTERS  
(4) 95% BAG FILTERS, 108 SF EA.
- OPTIONAL FILTERS:** 2" MIST ELIMINATOR  
26 LB CARBON AFTERFILTER  
2" POLY PREFILTER  
4" MIST ELIMINATOR  
2" ALUMINUM MESH PREFILTER  
99.97% HEPA AFTERFILTER
- OPTIONS:** EYEBOLTS (INSTALLED)  
ACOUSTIC LINING  
MAGNETIC PRESSURE GAUGE  
MANOMETER  
FLOOR STAND  
CUSTOM HOOD SIZES  
FIBERASE® FIRE SUPPRESSION  
THERMAL SENSOR/ POWER CUT OFF
- WEIGHT:** 1048 LBS.
- NOISE:** 80.2 dBA



**INDUSTRIAL MAID**

MFG. BY:  
**INDUSTRIAL MAID LLC**  
 351 S. 12TH RD.  
 CORTLAND, NE 68331  
 Ph. (402) 798-7116  
 Fax (402) 798-7117  
 www.industrial-maid.com

DISTRIBUTED BY:

**COPYRIGHT:** This document and the information contained may not be reproduced or distributed without express written consent of INDUSTRIAL MAID. Unauthorized reproduction, disclosure, or manufacturing use are prohibited by copyright law.