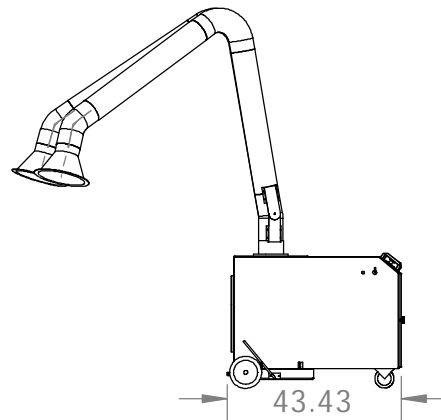
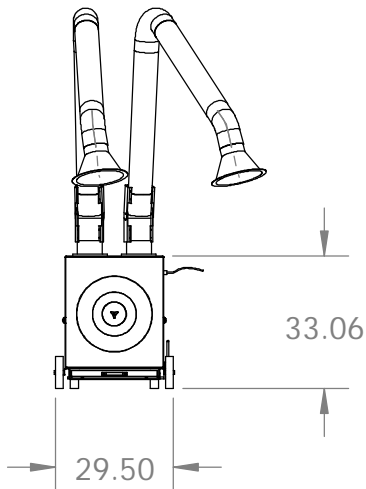


SPECIFICATIONS:

- DIMENSIONS:** 43.5" W X 30"D X 33" H
- MOTOR:** 1.5 HP TEFC
115/208-230/1/60
14.2/7.2-7.1 FLA
- ELECTRICAL:** ON/OFF SWITCH & 25 FT CORD
- CFM:** 1200 CFM @ 5.0" W.G
- BLOWER:** DIRECT DRIVE BI
- CONSTRUCTION:** 12, 14 & 16 GA STEEL, STRA. GREY POWDERCOAT
5" SWIVEL/LOCK CASTERS
8" EASY ROLL REAR WHEELS
DUST DRAWER W/ CAM RELEASE LEVER
TOOL-LESS FILTER SERVICE (2) 6" DIAM. X 10 FT EXT. ARMS.
- FILTER:** 200 SF FR NANO-FIBER
- WEIGHT:** 498 LBS. STD
- NOISE:** 76 DBA
- OPTIONS:** CARBON AFTER FILTER
HEPA AFTERFILTER
8 X 10" ARMS
INTERNAL/PUSH BUTTON CLEANING
FILTER SERVICE GAUGE
FIBER GRATE SURFACE
TABLE ENCLOSURE
LIGHT KITS



PROPRIETARY AND CONFIDENTIAL

THE INFORMATION CONTAINED IN THIS DRAWING IS THE SOLE PROPERTY OF INDUSTRIAL MAID LLC. ANY REPRODUCTION IN PART OR AS A WHOLE WITHOUT THE WRITTEN PERMISSION OF INDUSTRIAL MAID LLC IS PROHIBITED.

	NAME	DATE	AZTech PFC12-DUAL ARM	
DRAWN	TAA	7/17/12		
CHECKED	JZ	7/17/12	TITLE:	
INDUSTRIAL MAID 315 S.12 RD. CORTLAND, NE 68331 (877) 624-3247			PORTABLE FUME COLL. DUAL 6X10 ARMS	
SIZE	DWG. NO.	REV		
A	PFC12-DA			
SCALE: 1:48		WEIGHT: 329.62	SHEET 1 OF 1	

