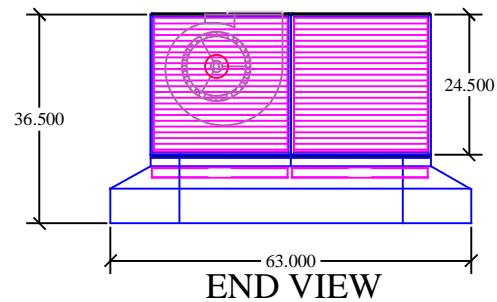
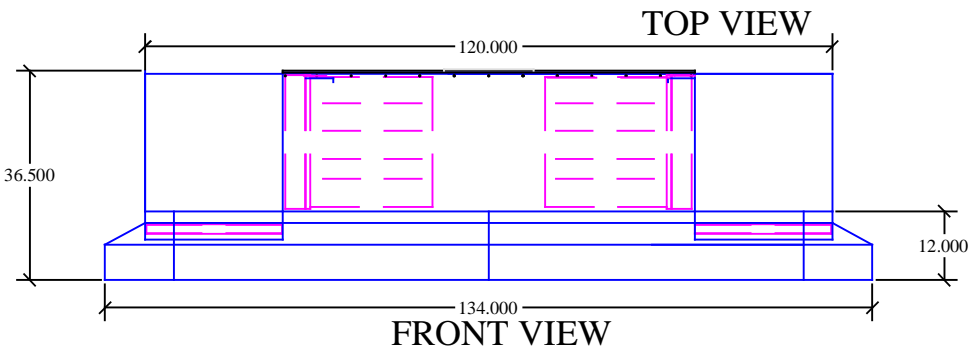
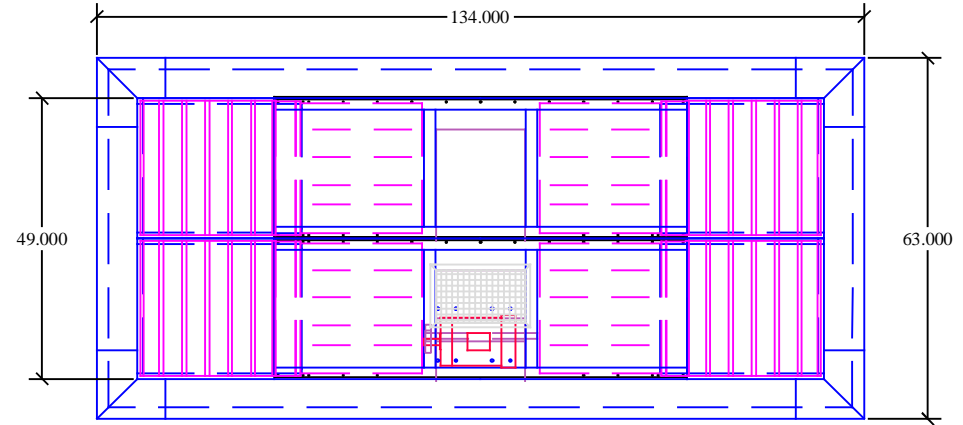
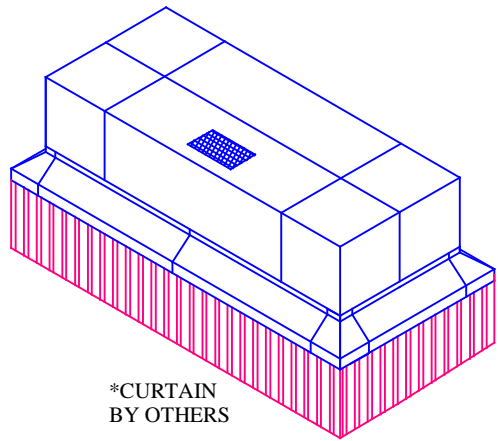
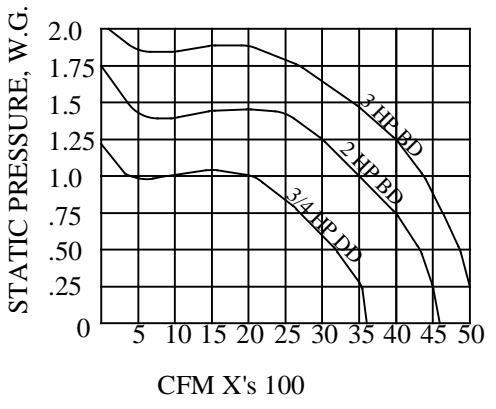


SPECIFICATIONS:

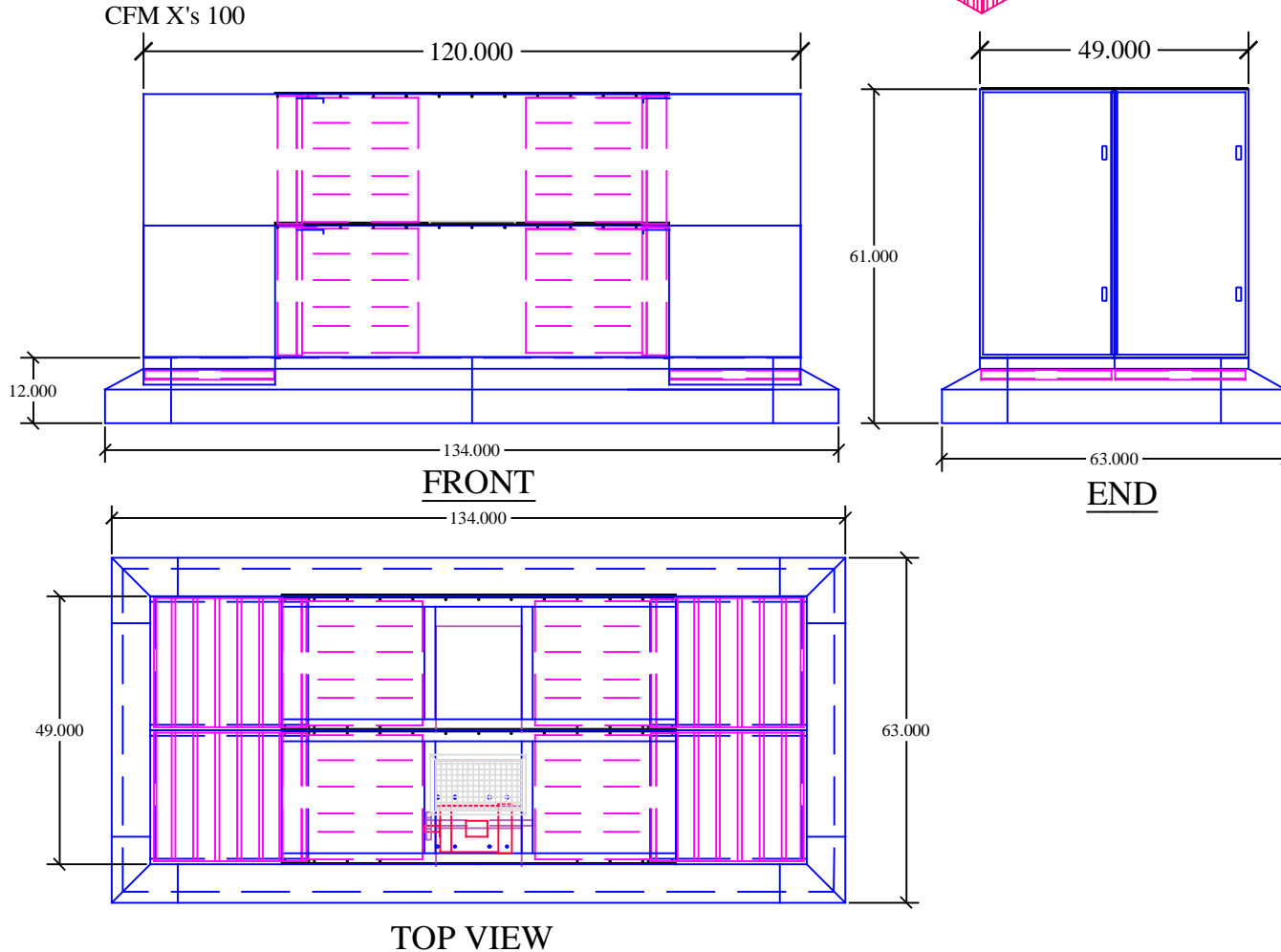
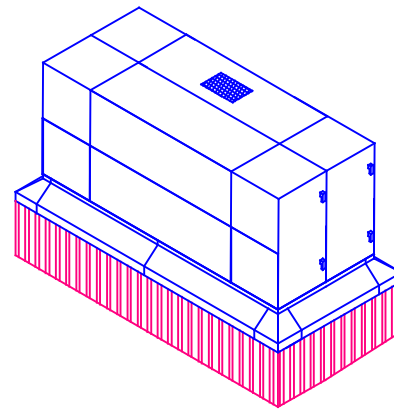
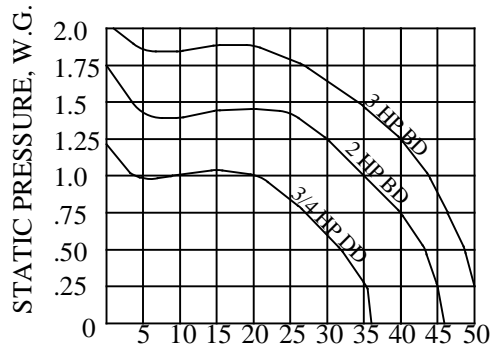
- DIMENSIONS:** RH35-2 36.5" H X 134" W X 63" D
- MOTOR:** 3/4 HP 115/1/60, 10.2 FLA
 2 HP 208-230/460/3/60 TEFC
 6.0-5.8/2.9 FLA
 3 HP 230/460/3/60 TEFC
 8.6/4.3 FLA
- CFM:** 3/4 HP - 3000 CFM @ .5" W.G.
 2 HP - 3500 CFM @ 1.0" W.G.
 3 HP - 4450 CFM @ 1.0" W.G.
- CONSTRUCTION** 11,14, & 16 GA POWDER COATED ST. FRAME.
 16 GA STEEL PANELS
 DUST PROOF LED LIGHT KIT
 4-WAY ALUMINUM EXHAUST GRILLE
- ELECTRICAL** WIRED TO JCT. BOX
 OPT. MOTOR STARTER AVAILABLE
- BLOWER:** 10 X 10 FORWARD CURVED BLOWER
 3/4 HP - DIRECT DRIVE
 2 & 3 HP - BELT DRIVE
- FILTERS:** 2" GALV. BAFFLE PREFILTER
 OPT. 2" ALUMINUM MESH
 4" PLEATED PREFILTER
 95% FIBERGLASS BAG FILTER
- OPTIONS:** HEPA AFTER FILTER
 SILENCER
 MAGNAHELIC PRESSURE GAUGE
 MACHINE LIFT EYES
 CURTAIN ENCLOSURE
 THERMAL SENSOR/ POWER CUT OFF
- WEIGHT:** DIRECT DRIVE 1115 LBS.
 BELT DRIVE - 1139 LBS.
- NOISE:** 3/4 HP - 63.4 dBA
 2 HP - 71.5 dBA
 3 HP - 72.0 dBA



distributed by:

COPYRIGHT: This document and the information contained may not be reproduced or distributed without express written consent of INDUSTRIAL MAID. Unauthorized reproduction, disclosure, or manufacturing use are prohibited by copyright law.

INDUSTRIAL MAID
 MFG. BY:
INDUSTRIAL MAID LLC
 351 S. 12TH RD.
 CORTLAND, NE 68331
 Ph. (402) 798-7116
 Fax (402) 798-7117
www.industrial-maid.com



SHEET TITLE : **AZTech RH35-2x2**
 DRWG. NO.: **RH322-0518** DRAWN BY: **TAA**
 DATE: **05/10/18** SCALE: **NTS**

SPECIFICATIONS:

DIMENSIONS: RH35-2X2 55"H X 134" W X 63" D

MOTOR:
 2 HP 208-230/460/3/60 TEFC
 6.0-5.8/2.9 FLA
 3 HP 230/460/3/60 TEFC
 8.6/4.3 FLA

CFM:
 2 HP - 3500 CFM @ 1.0" W.G.
 3 HP - 4450 CFM @ 1.0" W.G.

CONSTRUCTION: 11,14, & 16 GA POWDER COATED ST. FRAME. MACHINE LIFT EYES
 16 GA STEEL PANELS
 DUST PROOF LED LIGHT KIT
 FILTER ACCESS DOORS
 4-WAY ALUMINUM EXHAUST GRILLE

ELECTRICAL: WIRED TO JCT. BOX
 OPT. MOTOR STARTER AVAILABLE

BLOWER: 10 X 10 FORWARD CURVED BLOWER
 2 & 3 HP - BELT DRIVE

FILTERS: 2" GALV. BAFFLE PREFILTER
 OPT. 2" ALUMINUM MESH
 4" PLEATED PREFILTER
 95% FIBERGLASS BAG FILTER

OPTIONS: HEPA AFTER FILTER
 SILENCER
 MAGNAHELIC PRESSURE GAUGE
 CURTAIN ENCLOSURE
 FLOOR STANDS
 THERMAL SENSOR/ POWER CUT OFF

WEIGHT: BELT DRIVE - 1831 LBS.

NOISE: 2 HP - 71.5 dBA
 3 HP - 72.0 dBA



INDUSTRIAL MAID
 MFG. BY:

INDUSTRIAL MAID LLC
 351 S. 12TH RD.
 CORTLAND, NE 68331
 Ph. (402) 798-7116
 Fax (402) 798-7117
 www.industrial-maid.com

distributed by:

COPYRIGHT: This document and the information contained may not be reproduced or distributed without express written consent of INDUSTRIAL MAID. Unauthorized reproduction, disclosure, or manufacturing use are prohibited by copyright law.