

SHEET TITLE: AZTech RH 60-3-EA

DRWG. NO.: 6RH3EA-080808 DRAWN BY: TAA

DATE: 05/14/18 SCALE: NTS

SPECIFICATIONS:

DIMENSIONS: RH60-3 36.5"H X 144" W X 87.5" D

MOTOR: 5 HP 208-230/46-/3/60 TEFC
14.0-12.6/6.3 FLA

CFM: 6500 CFM @ .75" W.G.

CONSTRUCTION 11, 14 & 16 GA POWDER COATED
STEEL FRAME
16 GA. STEEL PANELS
4-WAY ALUMINUM EXHAUST GRILLE
18 GA. GALV STEEL HOOD
DUST PROOF LED LIGHT KIT
(6) 16 GA SEALED ACCESS DOORS

ELECTRICAL WIRED TO JCT. BOX

BLOWER: 12X12 FORWARD CURVED BLOWER
BELT DRIVEN, ADJ. SHEAVE

FILTERS: 2" GALV. BAFFLE PREFILTER
4" PLEATED PREFILTER
95% FIBERGLASS BAG FILTER

OPTIONS: HEPA AFTER FILTER
SILENCER
MAGNAHELIC PRESSURE GAUGE
CURTAIN ENCLOSURE
DIRECT DRIVE BI BLOWER PACKAGES
CURTAIN ENCLOSURE
THERMAL SENSOR/ POWER CUT OFF

WEIGHT: RH60-3 1847 LBS.

NOISE: 75.4 dBA



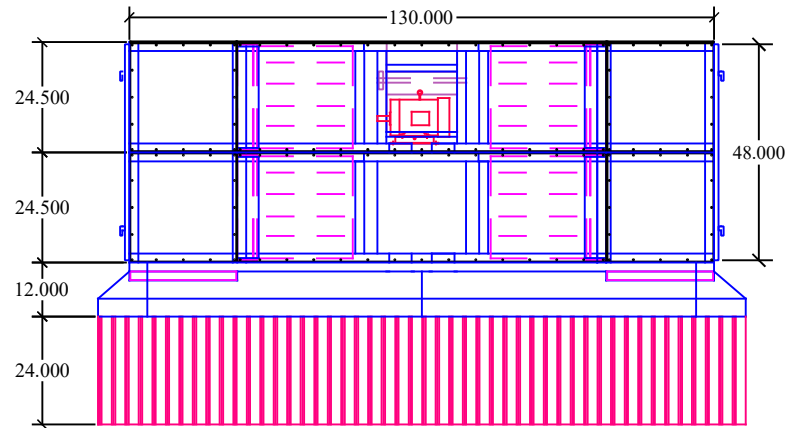
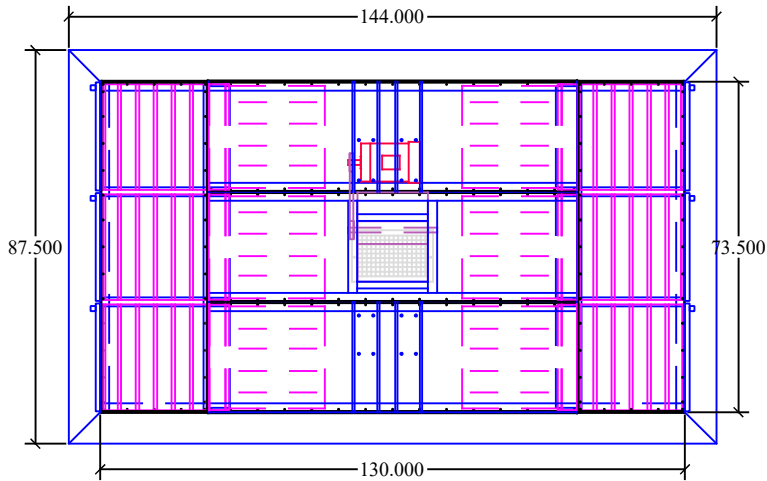
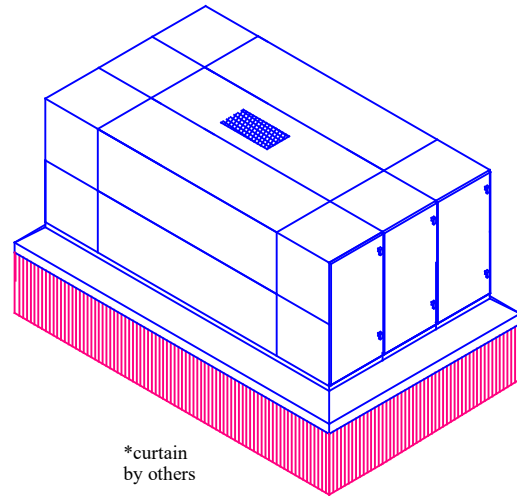
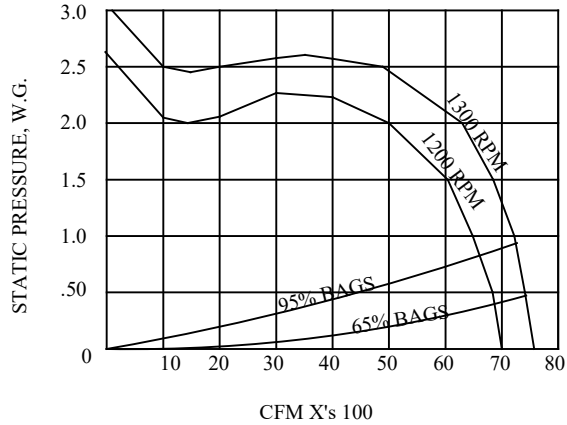
INDUSTRIAL MAID

MFG. BY:

INDUSTRIAL MAID LLC
351 S. 12TH RD.
CORTLAND, NE 68331
Ph. (402) 798-7116
Fax (402) 798-7117
www.industrial-maid.com

DISTRIBUTED BY:

COPYRIGHT: This document and the information contained may not be reproduced or distributed without express written consent of INDUSTRIAL MAID. Unauthorized reproduction, disclosure, or manufacturing use are prohibited by copyright law.



SHEET TITLE : AZTech RH60-3X2

DRWG. NO.: 6RH32-101608 DRAWN BY: TAA

DATE: 05/14/18 SCALE: NTS

SPECIFICATIONS:

DIMENSIONS: RH60-3X2 61" H X 144" W X 87.5" D

MOTOR: 5 HP 208-230/46-/3/60 TEFC
14.0-12.6/6.3 FLA

CFM: 6500 CFM @ .75" W.G.

CONSTRUCTION 11,14 & 16 GA POWDER COATED STEEL FRAME.
16 GA. STEEL PANELS
4-WAY ALUMINUM EXHAUST GRILLE
18 GA. GALV STEEL HOOD
(6) FILTER ACCESS DOORS
COMPRESSION LATCHES & HINGES
DUSTPROOF LED LIGHT KIT

ELECTRICAL WIRED TO JCT. BOX

BLOWER: 12X12 FORWARD CURVED BLOWER
BELT DRIVEN, ADJ. SHEAVE

FILTERS: 2" ALUMINUM BAFFLE PREFILTER
4" PLEATED PREFILTER
95% FIBERGLASS BAG FILTER

OPTIONS: HEPA AFTER FILTER
SILENCER
MAGNAHELIC PRESSURE GAUGE
THERMAL SENSOR/CUTOFF SWITCH

WEIGHT: 2522 LBS

NOISE: 75.4 dBA



INDUSTRIAL MAID

MFG. BY:

INDUSTRIAL MAID LLC

351 S. 12TH RD.

CORTLAND, NE 68331

Ph. (402) 798-7116

Fax (402) 798-7117

www.industrial-maid.com

DISTRIBUTED BY:

COPYRIGHT: This document and the information contained may not be reproduced or distributed without express written consent of INDUSTRIAL MAID. Unauthorized reproduction, disclosure, or manufacturing use are prohibited by copyright law.